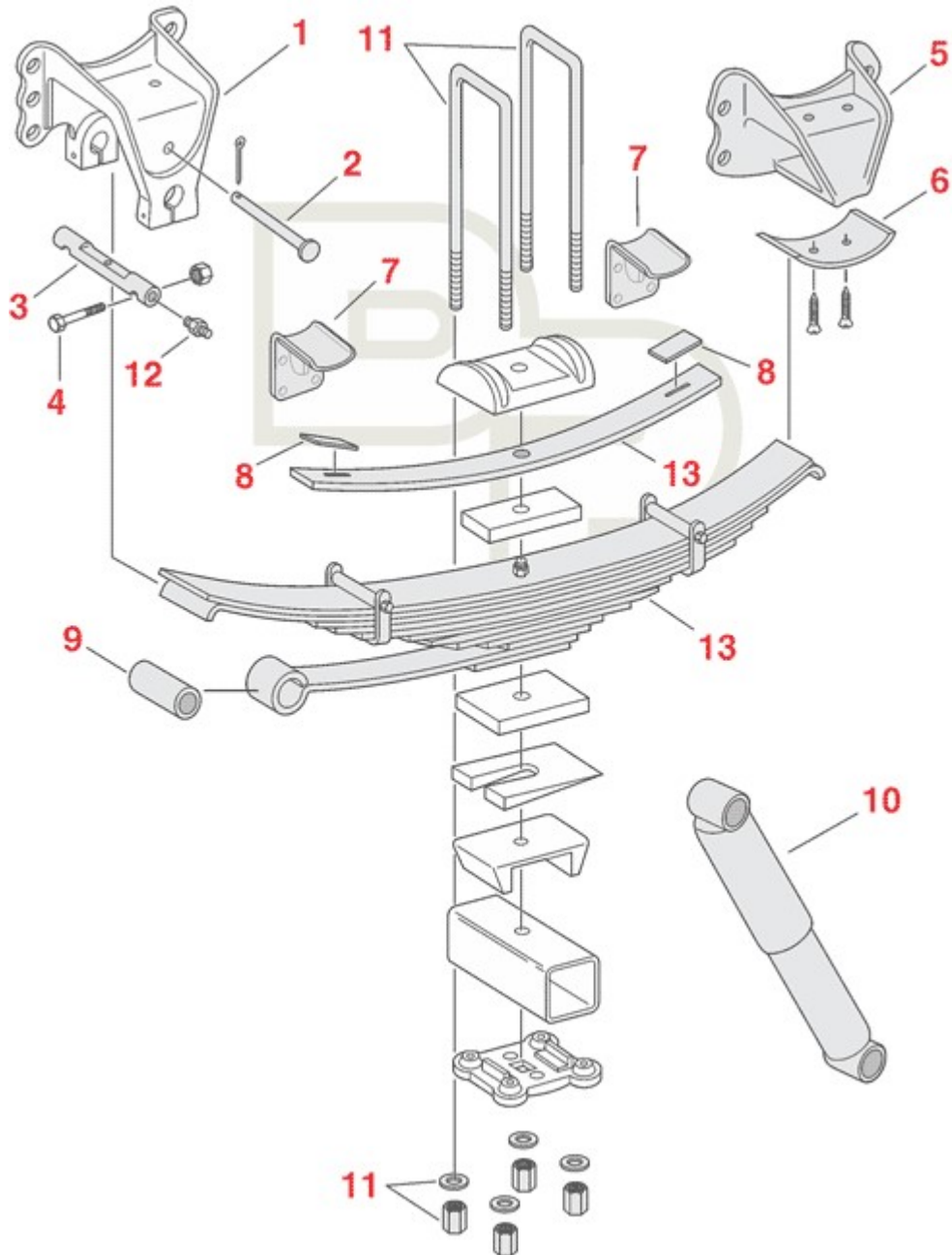




Freightliner Rear Suspension - Single Axle MB/FL 60/70/80/106



Call us if you can't find or identify the part you need

Freightliner Rear Suspension - Single Axle MB/FL 60/70/80/106

| | <u>Part #</u> | <u>Description</u> | <u>OEM #</u> | <u>Price</u> | <u>Note</u> |
|----|----------------------|--|---------------------|----------------------|--|
| 13 | 46-1189 | 13 Leaf Spring (10/3) 46-1189 - Premium US* 46-1189 - Economy Import** | 680-320-0005 | \$388.34 \$292.50 | |
| 13 | 46-1197 | 1 Leaf Full Taper Helper Spring 46-1197 - Premium US* 46-1197 - Economy Import** | 6803240040 | \$90.82 \$57.63 | Includes Wear Pad |
| 13 | 46-1271 | 15 Leaf Spring (7/3/2PD/3) 46-1271 - Premium US* 46-1271 - Economy Import** | A16-15989-000 | \$407.15 \$352.62 | |
| 13 | 46-1415 | 15 Leaf Spring (7/6/2/PD) 46-1415 - Premium US* 46-1415 - Economy Import** | A16-18653-000 | \$533.13 \$442.50 | |
| 1 | 338-1942 | Front Hanger - LH | 680 320 0275 | \$177.76 | |
| 1 | 338-1943 | Front Hanger - RH | 680 325 0375 | \$177.76 | |
| 2 | 327-514 | Rebound Pin | 681 325 0174 | \$5.20 | 5/8" x 4-7/8" Includes Cotter Pin & Washer |
| 3 | 327-491 | Spring Pin | 680 325 0074 | \$17.64 | 1-3/8" x 6" (4-1/4" c/c) |
| 5 | 338-1944 | Rear Hanger - LH | 680 325 0075 | \$86.42 | |
| 5 | 338-1945 | Rear Hanger - RH | 680 320 0175 | \$86.42 | |
| 6 | 334-1789 | Wear Pad | 680 325 0009 | \$17.87 | |
| 7 | 338-1946 | Helper Bracket | 680 325 0017 | \$17.97 | |
| 8 | 334-1790 | Helper Spring Wear Pad | 680 325 0109 | \$6.36 | |
| 10 | M65115 | Shock Absorber | 680 325 0000 | \$73.76 | |

* Premium version with 12 month warranty.

** Economy version with 6 month warranty.

Call us if you can't find or identify the part you need