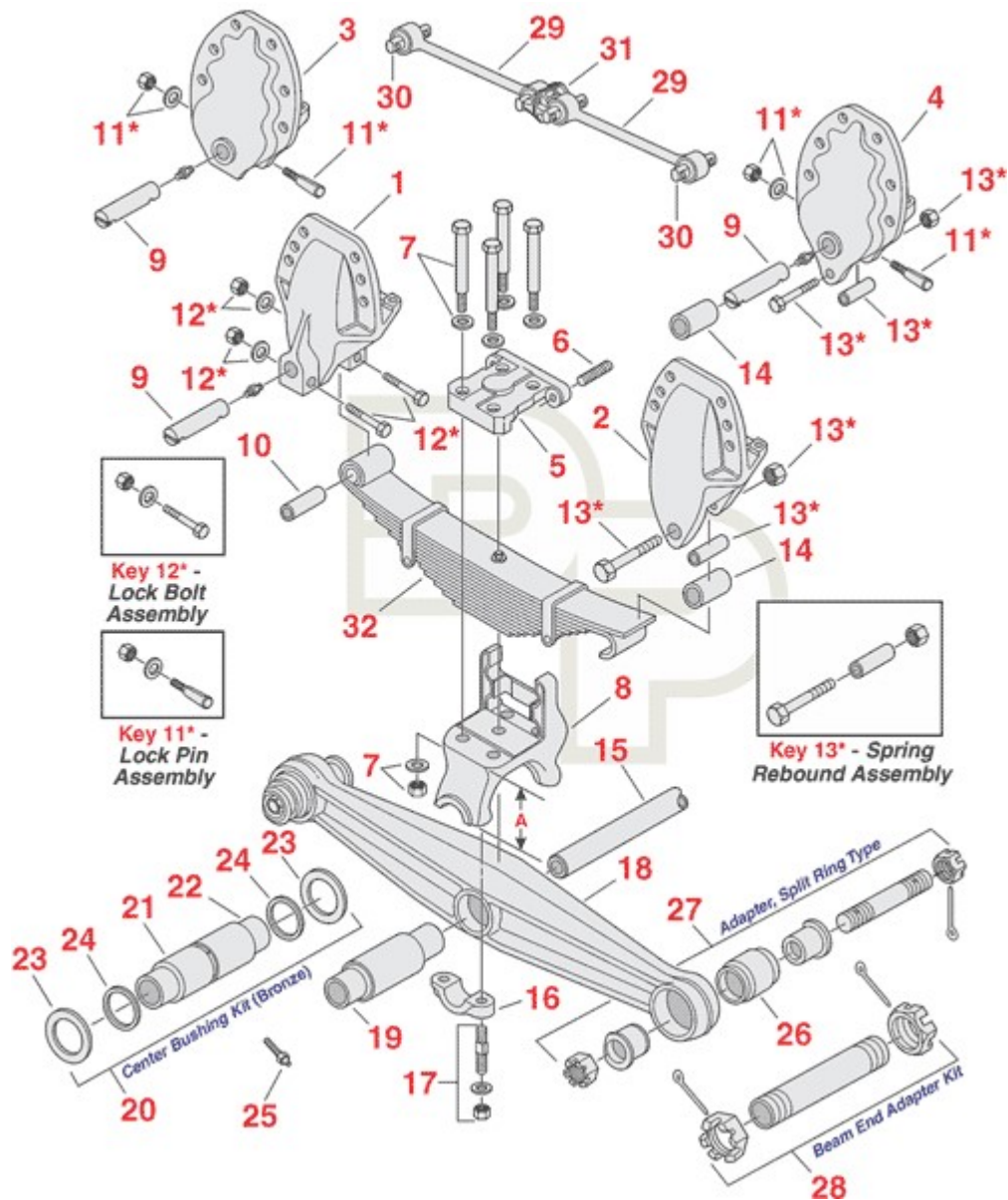




## Hendrickson Rear Suspension - RT 650 Tandem Suspension



Call us if you can't find or identify the part you need

## Hendrickson Rear Suspension - RT 650 Tandem Suspension

	<b>Part #</b>	<b>Description</b>	<b>OEM #</b>	<b>Price</b>	<b>Note</b>
32	50-123	12 Leaf Spring - Premium US*	02056	\$549.59	
32	50-269	12 Leaf Spring - Economy Import**	2056000	\$415.79	
32	50-123HD	10 Leaf Spring - HD Version	57961		
		50-123HD - Premium US*		\$699.54	
		50-123HD - Economy Import**		\$571.73	
1		Hanger, Front; LH/RH	Various		Call For I.D. & Price
2		Hanger, Rear; LH/RH	Various		Call For I.D. & Price
3		Hanger, Front	Various		Call For I.D. & Price
4		Hanger, Rear	Various		Call For I.D. & Price
5	338-167	Pad, Top	19199, 45112	\$261.02	Casting No. 35432 & 48491
6	334-129	Screw, Set; 3/4"-10 x 2"Lg	19201-2	\$10.61	
7		Saddle Bolt Assembly			Call For I.D. & Price
8	338-1899	Assembly, Saddle; "A" = 7 1/8"	31017-4	\$1,143.11	Casting No. 15784 & 46895
9	327-108	Spring Pin; 1-1/2"OD x 7-33/64"Lg x 5/8" c/e	00005-000	\$32.91	Hangers, Front & Rear; Single Lock
9	327-109	Spring Pin; 1-1/2"OD x 8-17/32"Lg x 7-1/8" c/c	45797	\$24.47	Hanger, Front Only; Double Lock
10	322-106	Bushing; 1-1/2"ID	22285	\$14.95	Bi-Metal
11	334-130	Assembly, Lock Pin	81-1	\$8.00	Incl. Washer & Nut
12	334-131	Bolt Assembly; 1/2"-13 x 4"Lg	46825-1	\$6.75	Incl. Bolt & Hdwe.
13	334-132	Kit, Bolt; Rebound; 3/4" x 6-1/2"Lg	29828-33	\$16.30	Incl. Spacer Tube

Call us if you can't find or identify the part you need

14	334-133	Roller, Spring Pin; 1-1/2"ID x 3"OD x 4"Lg	00003-0003	\$20.06	Use w/327-108 Pin
15	334-134	Tube, Cross; 3" x 40-3/4"Lg	10397-14	\$456.87	
15	334-189	Tube, Cross; 3" x 44-3/4"Lg	10397-2	\$485.58	
16	338-168	Cap, Saddle; 5-1/2" c/c x 1" Bolt Holes	15785	\$67.20	
17	334-187	Assembly, Stud; 1-14 x 5-7/8"Lg		\$21.83	Incl. Stud, Washer & Lock Nut
18		Beam Assembly			Call For I.D. & Price
19	321-128	Bushing, Beam Center; Rubber; Welded Plug	10366	\$389.05	Welded in Plug
20	322-107	Kit, Bushing; Bronze Center	45374	\$1,358.95	For (2) Beams
21	322-108	Bushing, Bronze Center; 4"ID x 5-1/2"OD x 8-11/16"Lg	30240-5	\$420.44	
22	334-136	Sleeve; 3"ID x 4"OD x 15"Lg	25102	\$255.45	Bronze Bushing
23	334-137	Washer, Thrust; 4"ID x 6-11/16"OD x 3/16"Thk	45261	\$25.64	
24	334-135	Seal; 4"ID x 5-1/2"OD x 3/8"Thk	31577	\$51.70	
25	334-107	Fitting, Grease; 2-5/8"Lg x 1/8"-27 NPT	30087	\$6.65	
26	321-129	Bushing, Beam End; Rubber; 6"Lg	10363	\$197.06	
27	334-138	Adapter Kit, Solid Adapters; 2"OD x 12-5/8"Lg, 1-7/8"-12 Thread	21140-7	\$171.35	Bushing Not Included
28	334-141	Adapter Kit w/Tube & Nut; 3"OD x 9-3/4"Lg x 3"-12 Thread	21140-6	\$196.82	
29	SP	Torque Rod, Rigid	45577-XXX		Call For I.D. & Price
30	321-238	Bushing; Straddlemount Type	48304	\$65.93	RS/RT 500 Fixed Length Rod

Call us if you can't find or identify the part you need

31

M917

Bracket, Torque Rod  
Frame

46015

\$50.23

---

\* Premium version with 12 month warranty.

\*\* Economy version with 6 month warranty.

Call us if you can't find or identify the part you need