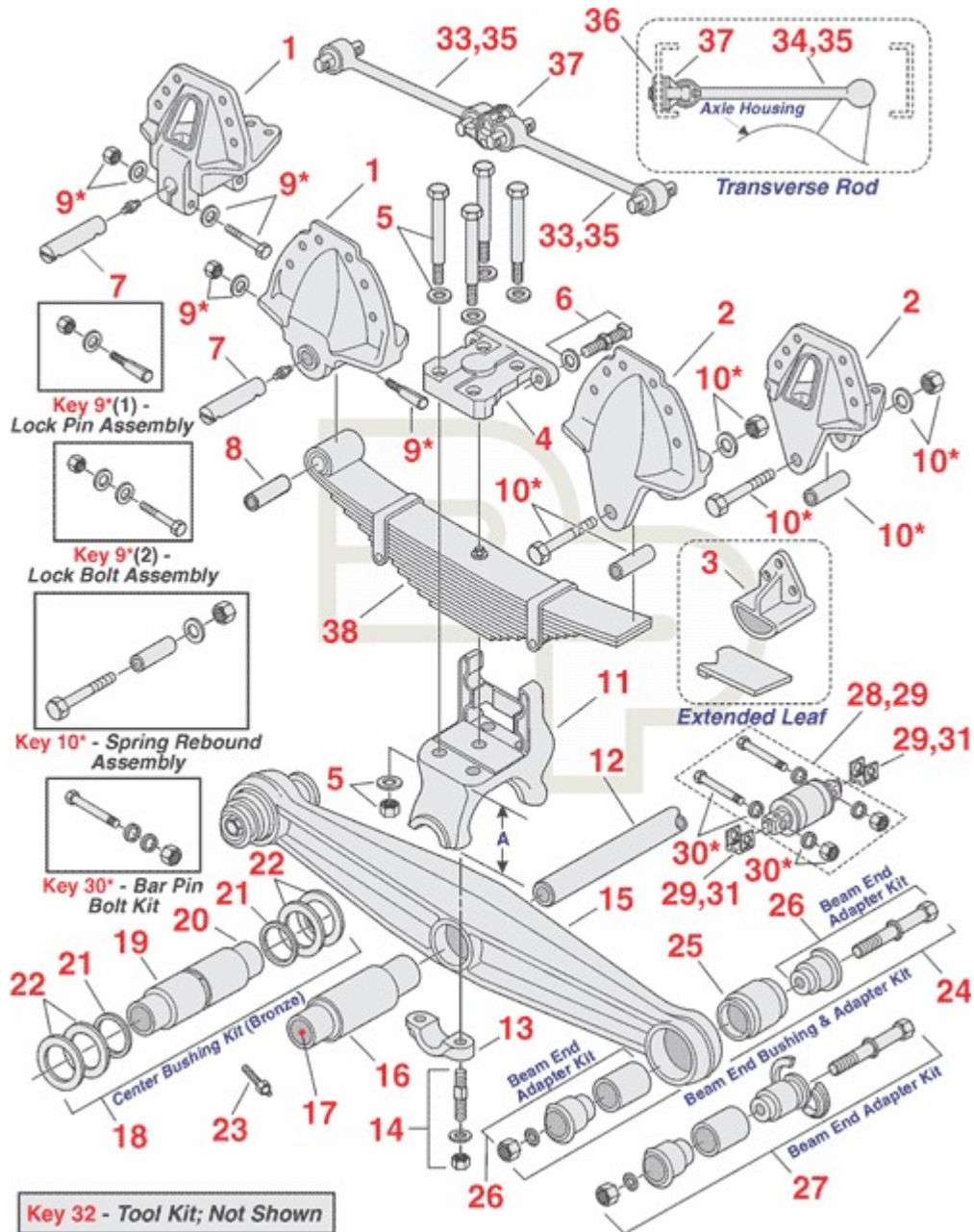




Hendrickson Rear Suspension - RT/RTE 380/400/440/460,
RT2/RTE2 400/460 Tandem



Call us if you can't find or identify the part you need

Hendrickson Rear Suspension - RT/RTE 380/400/440/460,
RT2/RTE2 400/460 Tandem

	Part #	Description	OEM #	Price	Note
38	50-215	12 Leaf Spring (12/PD)	30840	\$302.80	RT w/ 34" Hanger Spacing
38	50-227	10 Leaf Spring	13996	\$766.77	RT w/ 34" Hanger Spacing
38	50-267	10 Leaf Spring	45027	\$261.01	RT w/ 33" Hanger Spacing
	50-291	10 Leaf Spring	45027000	\$279.59	
38	50-301	12 Leaf Spring (12/PD)	47057	\$275.62	RT w/ 33" Hanger Spacing
38	50-275	13 Leaf Spring	45121	\$309.56	RTE w/ 33" Hanger Spacing
38	50-299	12 Leaf Spring	45322	\$309.62	RTE w/ 33" Hanger Spacing
1		Hanger, Front			Call For Identification & Price
2		Hanger, Rear			Call For Identification & Price
3		Hanger, Extended Leaf			Call For Identification & Price
4	338-108	Pad, Top	35064	\$80.45	Cast No. 47880; Replaces Cast No. 47618
5	See Chart	Saddle Bolt Assembly			Call For Identification & Price
6	334-101	Assembly, Set Screw; 3/4"- 10 x 3-1/4"Lg	35370-2	\$7.26	Incl. Washer & Nut
7	327-107	Spring Pin; 1-3/8"OD x 7- 11/32"Lg x 5/8" c/e	32277	\$11.51	Single Lock
7	327-437	Spring Pin; 1-3/8"OD x 6- 7/8"Lg x 5-3/8" c/c	43146	\$10.21	Double Lock

Call us if you can't find or identify the part you need

8	322-101	Bushing; 1-3/8"ID x 1-5/8"OD x 4"Lg	30057-8	\$9.59	SRI No. TPK-BM
9	334-112	Assembly, Pin; Lock	62-1	\$4.88	Incl. Washer & Nut
9	334-131	Bolt Assembly; 1/2"-13 x 4"Lg	46825-1	\$6.75	Incl. Bolt & Hdwe.
10	334-100	Assembly, Rebound; 1/2"OD x 6-1/2"Lg	29828-23	\$5.80	Incl. Roller, Washer & Nut
11	338-1398	Assembly, Saddle; High Back; "A" = 7 3/16"	31017-110	\$421.07	Casting No. 57155; Incl. Cap & Studs
11	338-1399	Assembly, Saddle; Low Back; "A" = 7 3/16"	31017-109	\$440.81	Casting No. 57143; Incl. Cap & Studs
11	338-143	Assembly, Saddle; Low Back; "A" = 6"	31017-22	\$375.47	Casting No. 6658, 42933 & 13088-2
11	338-144	Assembly, Saddle; High Back; "A" = 6"	31017-96	\$439.76	Casting No. 45605, 13088-2, 35208-1
11	338-142	Assembly, Saddle	31017-6		Casting No. 32102-1
12	334-113	Cross Tube; 2-7/16" x 44-7/8"Lg	44643-9	\$107.52	
13	338-1831	Cap, Saddle	58795 / 48545	\$17.79	R400/520; Replaces 338-148
14	334-174	Assembly, Stud; 7/8"-14 x 4-7/8"Lg	6696	\$7.71	Incl. Stud, Lock Nut & Washer
15		Beam Assembly			Call For Identification & Price
16	321-122	Bushing, Beam Center; Rubber; Welded Plug	5919	\$107.42	380 Series
16	321-123	Bushing, Beam Center; Rubber; Loose Plug	22282	\$113.50	Plug Included; 380 Series
16	321-124	Bushing, Beam Center; Rubber; Welded Plug	29483-5	\$207.43	Severe Duty; Fully Bonded; w/Transverse Rods
16	321-243	Bushing, Beam Center; Rubber; Welded Plug	49400	\$120.22	High Confinement; 400 Series; Standard
16	321-244	Bushing, Beam Center; Rubber; Loose Plug	49600	\$127.26	High Confinement; 400 Series; Standard

Call us if you can't find or identify the part you need

17	334-191	Plug, End; 2-7/16"Dia. X 3/16"Thk	22281	\$2.83	
18	322-102	Kit, Bushing; Bronze Center	30437	\$285.60	Incl. Keys 19-23 for (2) Beams; Optional for RT2- 400 & RT2-460 Standard
18	322-102A	Kit, Bushing; Bronze Center	34013-54	\$168.81	For (1) Beam
19	322-103	Bushing, Bronze Center; 3- 1/2"ID x 4-3/4"OD x 5- 7/8"Lg	30240-2	\$135.96	Optional for RT2- 400; RT2-460 Standard
20	334-114	Sleeve, Center; 2-1/2"ID x 3-1/2"OD x 12"Lg	14685	\$114.90	
21	334-115	Seal; 3-7/16"ID x 4- 3/4"OD x 1/4"Thk	30334	\$7.24	
22	334-116	Washer; 3-1/2"ID x 5- 3/4"OD x 1/8"Thk	32365	\$8.06	
23	334-107	Fitting, Grease; 2-5/8"Lg x 1/8"-27 NPT	30087	\$6.65	
24	334-381	Kit, Bushing & Adapter	34013-49	\$84.05	Incl. 321-126 Bushing & 334-109 Adapter
24	334-428	Kit, Bushing & Adapter	34013-50 / 34013-73	\$115.97	Incl. 321-242 Bushing & 334-467 Adapter Assy.
25	321-126	Bushing, Beam End; Rubber; 5-3/4"Lg	45900	\$39.59	380 thru 440 Series
25	321-242	Bushing, Beam End; Rubber; 5-3/4"Lg	29878-1	\$55.69	460 Series
26	334-109	Adapter Kit, Solid Adapters	45000-7	\$50.58	Use w/ 5 3/4" Bushing
26	334-467	Adapter Kit	21140-34	\$82.38	Incl. 1" Bolt; for 5 3/4" Bushings; 450/480 Series
27	334-111	Adapter Kit, Solid/Split Ring Adapters	45000-8	\$185.66	Use w/ 5 3/4" Bushing
27	334-127	Adapter, Split Ring Type; 450,480 Series	21140-28	\$347.54	Use w/ 5 3/4" Bushing

Call us if you can't find or identify the part you need

28	334-830	Kit, Service; Bar Pin Bushing; Non Shim	34013-87	\$112.97	Incl. Bar Pin Bushing & Mounting Hdwe.
29	334-831	Kit, Service; Bar Pin Bushing; Shim Type	34013-88	\$112.88	Incl. Bar Pin Bushing, Alignment Shims & Mounting Hdwe.
29	334-1957	Kit, Service; Rotating Bar Pin Bushing; Shim Type	34013-188	\$156.67	Incl. Bolts & Shims
30	334-832	Assembly, Bolt; 1"-8 x 6"Lg Grade 8	48941	\$16.21	Incl. Bolt, Lock Nut & Washers
31	334-879	Shim; 3/16"	50130	\$7.45	
31	334-880	Shim; 1/8"	50131	\$7.33	
31	334-881	Shim; 3/8"	57026	\$11.39	
33	SP	Torque Rod, Rigid	32271-XXX		Call For Identification & Price
34	345-897	Kit, Torque Rod; Straddle/Taper Pin	60215	\$148.52	Use 345-610 & 345-681
34	345-866	Kit, Torque Rod; Straddlemount	60218	\$126.66	Use 345-610 & 345-661
35	345-610	Torque Rod End; Female; Straddlemount	66610 / 46610	\$65.37	5/8" Bolts, 4 3/8" Spacing
35	345-661	Torque Rod End; Male; Straddlemount; 22-1/2"Lg	66661 / 46661	\$67.34	5/8" Bolts, 4 3/8" Spacing
35	345-681	Torque Rod End; Male; Taper Stud; 22-1/2"Lg	66681 / 46681	\$95.02	1 1/4"-12, 2.90" Taper
36	334-638	Plate, Reinforcement	45045-3	\$17.35	Torque Rod Plate
37	338-181	Bracket, Track Rod/Frame	22186	\$15.40	For 5/8" Bolts

Call us if you can't find or identify the part you need