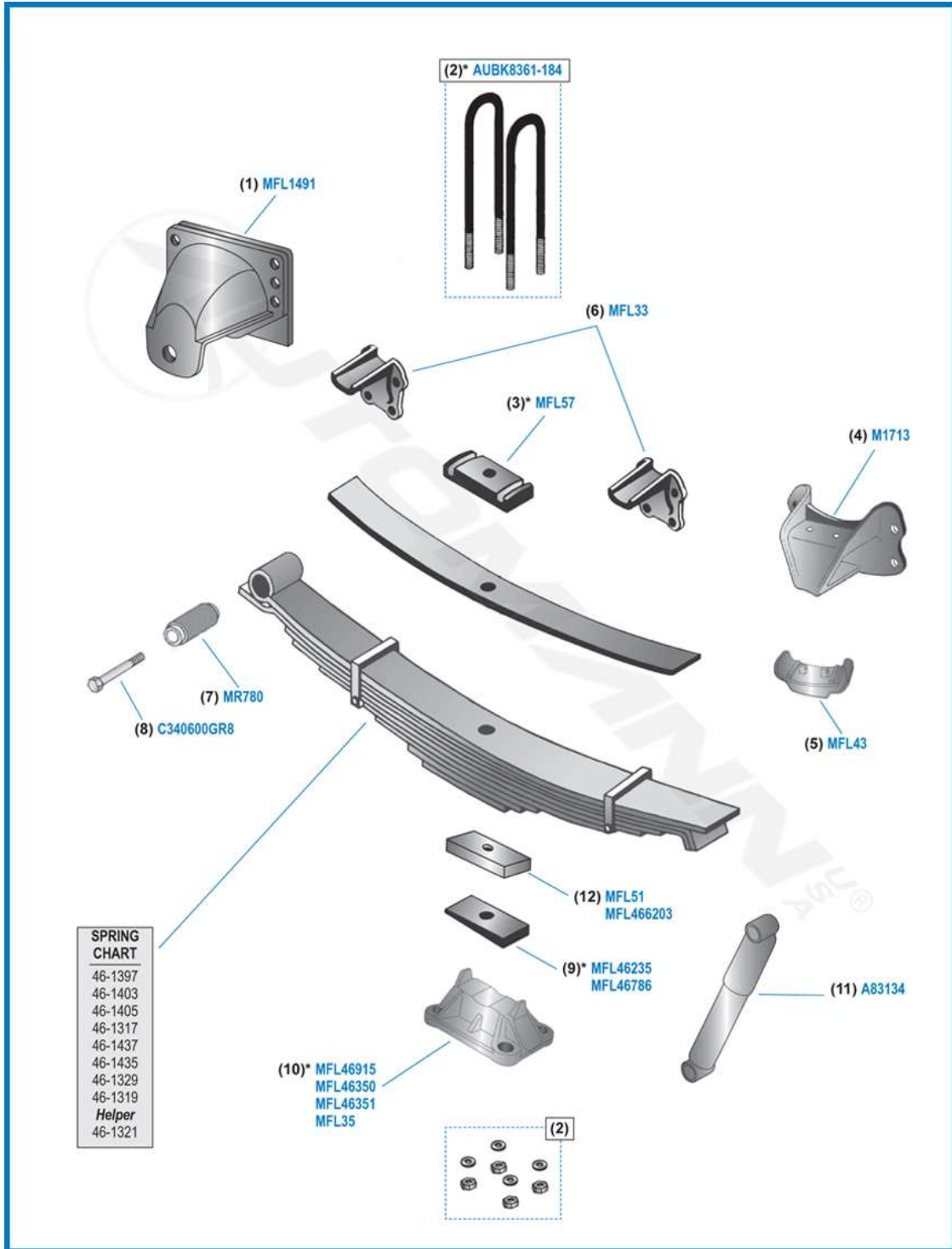


Suspension Schematic: Freightliner Rear 3" Eye / Slip (Freightliner M2BC & Sterling Acterra) (Revised)

Schematic Parts List





2	Ref.	1124442000	2	Ubolt Kit	5/8" x 3.0" Sr. x 14-3/8" Lg., Verify
2	Ref.	Various	2	Ubolt Kit	Verify Dia., Bend & Length
3	MFL57	6803250231	2	Ubolt Top Plate	Verify
3	Ref.	R1127221000	2	Ubolt Top Plate	23K, Try M936, Verify
4	M1713	1615880000	2	Hanger	R of R, Uses MFL43 Pad, LH / RH, Cast
5	MFL43	1615641000	2	Wear Pad	R of R, LH / RH
6	MFL33	6803250017	4	Helper Bracket	LH / RH
7	MR780	1616437000	2	Spring Eye Bushing	3/4" ID x 1-3/4" OD x 3.0" x 3-1/2" Sleeve
8	C340600GR8	2312950001 / 2309446600	2	Bolt	F of R Spg., 3/4"-10 x 6.0" Lg. Gr8
9	MFL46786	1126486000	2	Axle Seat	Verify, 3°
9	MFL46235	1127235000	2	Axle Seat	Verify, 5°, 23K Axle
9	Ref.	Various	2	Axle Seat	Verify
10	MFL46915	1124915000	2	Bottom Ubolt Plate	Verify, 5°, LH / RH, 23K Axle
10	MFL46350	1123350000	2	Bottom Ubolt Plate	Verify, 3°, LH
10	MFL46351	1123350001	2	Bottom Ubolt Plate	Verify, 3°, RH
10	MFL35	1614069000	2	Bottom Ubolt Plate	Verify
10	Ref.	Various	2	Bottom Ubolt Plate	Verify
11	A83134	16164866000	2	Shock	Verify w/Shock Catalog
12	MFL51	1612562005	A/R	Spacer	Aluminum, 3.0" Wd. x 6-3/4" Lg. x 1-1/2" Hgt.
12	MFL466203	1612562003	A/R	Spacer	Aluminum, 3.0" Wd. x 6-3/4" Lg. x 1/2" Hgt.
SC	46-1397				
SC	46-1403				
SC	46-1405				
SC	46-1317				
SC	46-1437				
SC	46-1435				
SC	46-1329				
SC	46-1329OE				
SC	46-1319				
SC	46-1321				Helper