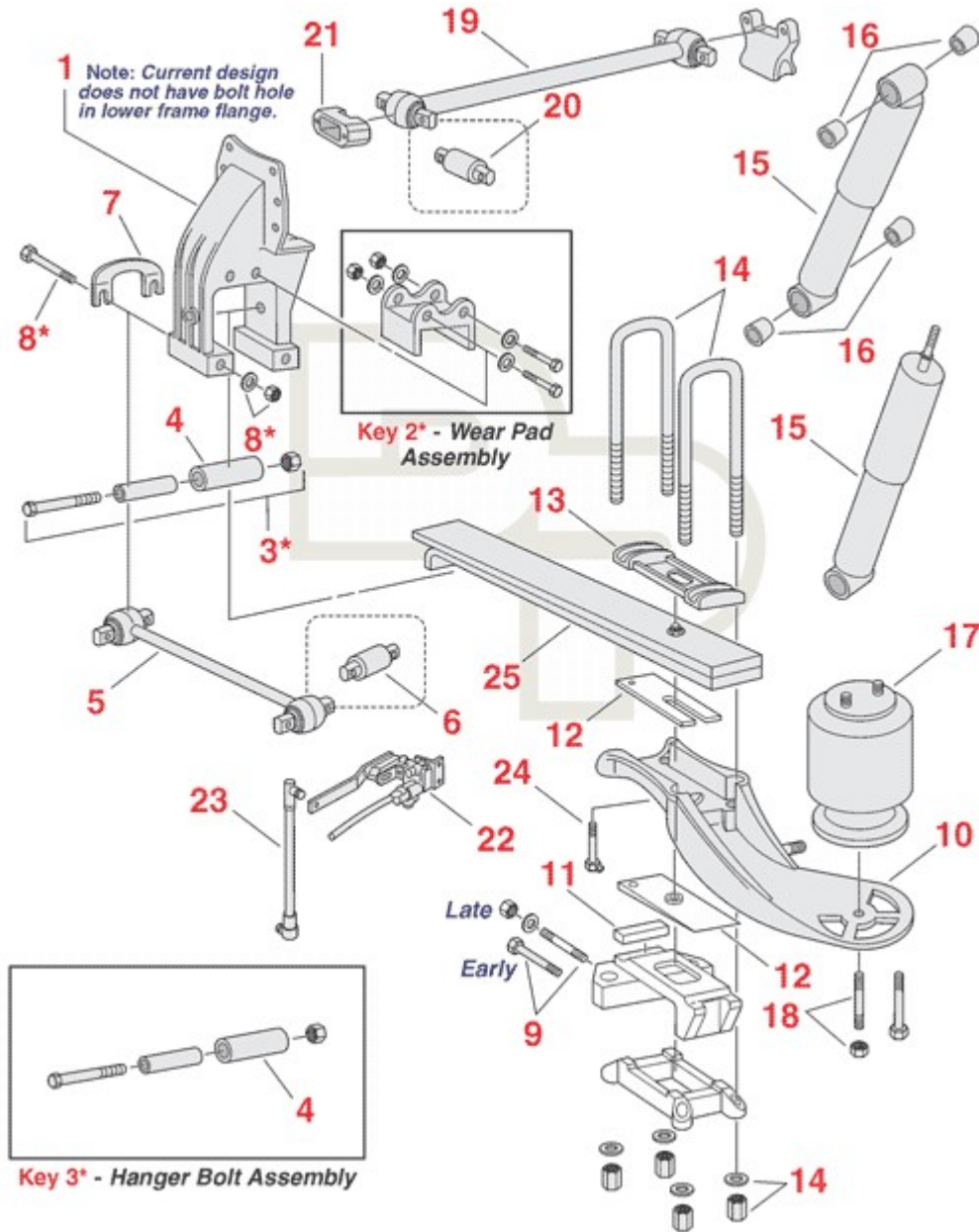




Peterbilt Rear Suspension - Air Trac® Single/Tandem Axle



Call us if you can't find or identify the part you need

Peterbilt Rear Suspension - Air Trac® Single/Tandem Axle

25		2 Leaf Parabolic Spring	03-02432 / C81-6007 / 71100	\$144.00	
	75-125				
1	338-1240	Hanger	01-44406 / 01-48280- M002	\$190.37	For 5/8" Torque Rod Bolts
1	338-1240A	Assembly, Hanger	01-48280- M004	\$202.86	Current Design; Replaces M1750 on Past Production; Incl. Wear Pad
2	334-1592	Assembly, Wear Pad	03-07296	\$76.24	Incl. Hdwe.
3	334-1194	Assembly, Bolt; 5/8"-18 x 7-1/2"Lg		\$25.94	Incl. Bolt & Hdwe.
4	334-1195	Roller, Urethane; 1-1/6"ID x 2"OD x 5-3/16"Lg	03-04623	\$14.79	
5	345-196	Torque Rod, Rigid; 17.34"Lg; 0°/10°	03-04119 / 924170	\$148.62	Second Design; Incl. 321-132 Bushings
5	345-211	Torque Rod, Rigid; 17.34"Lg; 0°/10°	03-04327 / 924175	\$157.96	Second Design; Incl. 321-132 & 321-265 Bushings
5	345-963	Torque Rod, Rigid; 17.34"Lg. 0/10	C65-6012- 010440	\$126.59	High Confinement Ends (2008+)
5	345-240	Torque Rod, Rigid; 17.34"Lg; Full Ball Design	03-04327	\$150.88	Suspensions w/ 3/4" Mntg. Hdwe. At T/R Axle Bracket
6	321-132	Bushing; Straddlemount; 2-3/4"OD x 4-3/8" c/c	227720	\$30.20	5/8" Bolts; 1 1/4" Forged Rod
6	321-132U	Bushing, Urethane		\$48.44	
6	321-265	Bushing; 2-3/4"OD x 4- 3/8" c/c	227723	\$41.02	For 3/4" Bolts & 1 1/4" Rod Diameter
6	321-265U	Bushing, Urethane		\$54.01	
7	334-526	Shim; 1/16"Thk 4-3/8" c/c	03-02726-001	\$4.75	
8	334-764	Assembly, Bolt; 5/8"-18 x 7"Lg		\$6.60	Incl. Bolt & Hdwe.

Call us if you can't find or identify the part you need

9	334-1188	Stud; Flange Head; 5/8"- 11 x 2-1/4"Lg	03-01767 / 27- 00702-009	\$2.00	
9	334-1433	Bolt, Flange Head; 3/4"-10 x 2 1/4"Lg	27-00286-009	\$6.14	
10	338-811	Paddle, Air Spring; LH	03-06747L / 03-02559L	\$352.23	Cast Steel Thru 1999
10	338-2382	Paddle, Air Spring; LH	03-08163L	\$409.41	Steel; 2000+
10	PD001	Paddle, Air Spring; LH	03-07346L	\$352.23	Aluminum
10	338-812	Paddle, Air Spring; RH	03-06747R / 03-02559R	\$352.23	Cast Steel Thru 1999
10	338-2383	Paddle, Air Spring; RH	03-08163R	\$409.41	Steel; 2000+
10	DIA	Paddle, Air Spring; RH	03-07346R	\$344.40	Aluminum
13	338-718	Saddle, U-Bolt; Iron	03-01656	\$12.20	OE is Aluminum
14	361-167	Kit, U-Bolt; Special Bend, Grade 8	03-3134-151	\$55.14	1" x 4" x 15 7/8" PR
15	M65444	Shock Absorber	03-07421	\$79.58	
15	M65402	Shock Absorber	03-04629	\$75.93	
15	M65400	Shock Absorber	03-07423	\$78.51	
16	401754	Shock Bushing, 1" ID		\$2.98	
17	352-9069	Air Spring	03-04759	\$140.48	
18	334-823	Assembly, Stud; 1/2"- 20/13 X 5"Lg	03-02425 / 27-00173	\$8.05	Incl. Stud & Lock Nut
19	345-210	Torque Rod, Rigid; 22- 7/8"Lg; 0°/0°	03-04059	\$132.93	Incl. 321-131 Bushings
19	345-974	Torque Rod, Rigid; 22- 7/8"Lg; 0/0	C65-6025- 000581	\$106.34	High Confinement Ends (2008+)
19	345-241	Torque Rod, Rigid; 22.81"Lg; Full Ball Design	03-04251	\$152.62	
20	321-131	Bushing; 2-17/32"OD x 4- 3/8" c/c		\$29.33	For 5/8" Bolts & 1 1/8" Rod Diameter
20	321-131U	Bushing, Urethane		\$51.47	
21	338-779	Bracket, Track Rod Frame; Straddlemount	33783	\$21.52	3/4" Bolts
22	334-750	Valve, Height Control; Universal	H00450CA	\$69.03	Hadley, Model 450HCV

Call us if you can't find or identify the part you need

22	334-1143	Valve, Height Control	K295-4171 / 90054007 / R304323 / 90554928	\$52.75
23	334-751	Linkage Assembly; Universal Adjustable	HPB450-3	3-5/8"-19-5/8" Range; Use w/All Height Control Valves \$12.88
24	SCB-260	Center Bolt; 3/4"-16 x 4- 1/4"	03-02583	Special Head \$15.98

Call us if you can't find or identify the part you need