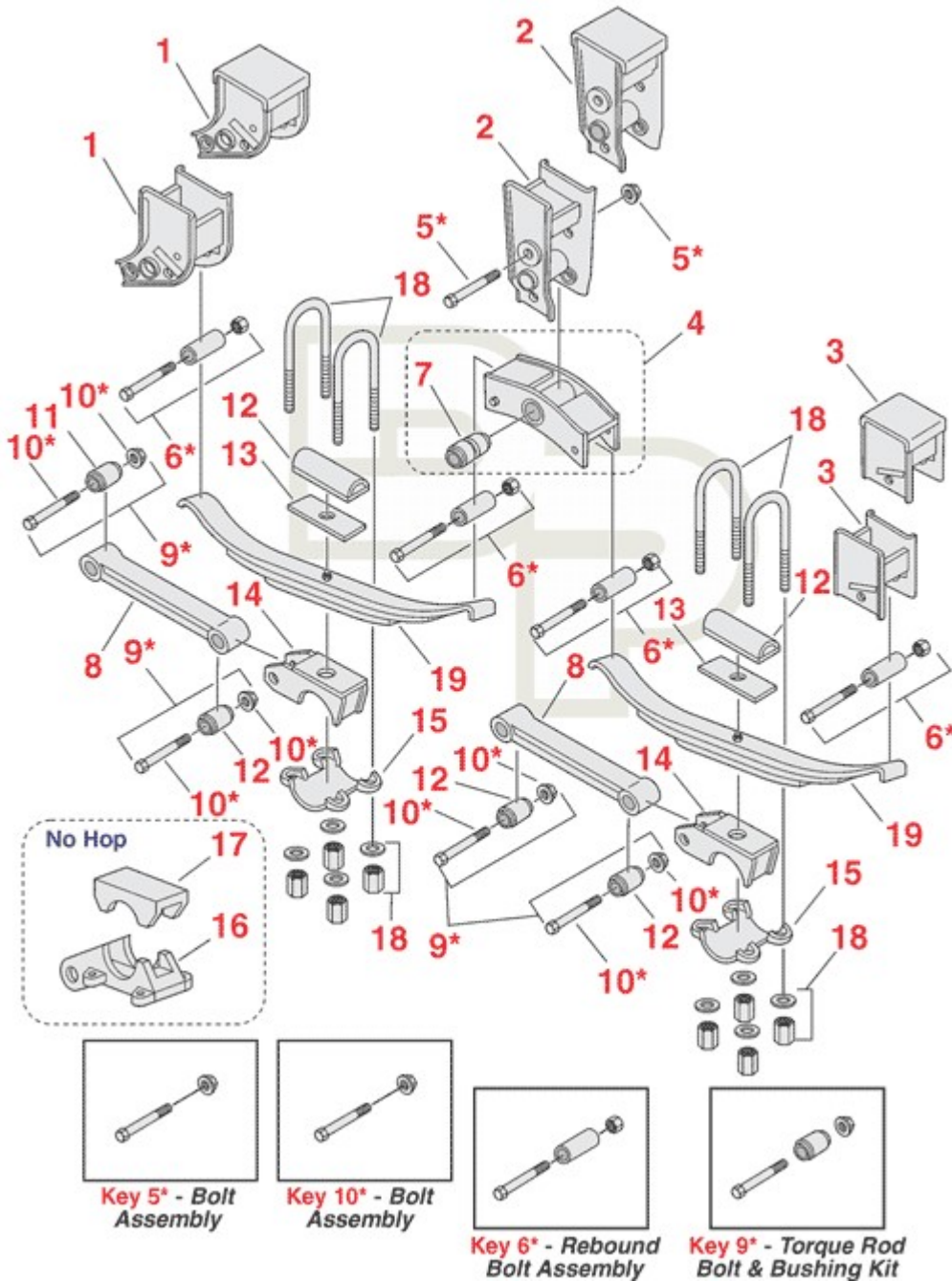




**Binkley Trailer Suspension - Duralite 9000, Ultralite 2 Four Spring**



Call us if you can't find or identify the part you need

## Binkley Trailer Suspension - Duralite 9000, Ultralite 2 Four Spring

	<b>Part #</b>	<b>Description</b>	<b>OEM #</b>	<b>Price</b>	<b>Note</b>
19	TRA2752	2 Leaf Trailer Spring	SP0324 / 32400 / 32401	\$80.70	
19	TRA2728	3 Leaf Trailer Spring	SP0356 / 35600 / 1490401 / 70038 / 10300003	\$87.48	
19	TRA2726	3 Leaf Trailer Spring	SP0354	\$87.48	
19	TRA2727	3 Leaf Trailer Spring	SP0355	\$87.48	
19	TRA2757	2 Leaf Trailer Spring	1624101 / 1671001 / LA01 / LA13 / WIN01 / 431361	\$191.50	
19	TRA021	Single Leaf Trailer Spring	SP0363 / 36300 / 3134034	\$80.32	
19	TRA2260	8 Leaf Trailer Spring	75205	\$151.34	
19	TRA023	Single Leaf Trailer Spring	SP0360 / 36000	\$83.06	
19	TRA2754	2 Leaf Trailer Spring	SP0326 / 32600 / 32601	\$80.70	
19	TRA2741	3 Leaf Trailer Spring	SP0365-01 / 700311	\$98.10	
19	TRA2740	3 Leaf Trailer Spring	SP0365	\$98.10	
19	TRA2260	8 Leaf Trailer Spring	75205	\$151.34	
19	TRA2732	8 Leaf Trailer Spring		\$198.19	
19	TRA2705	7 Leaf Trailer Spring		\$175.29	
19	TRA2706	7 Leaf Trailer Spring	75101	\$191.34	
1	338-1300	Hanger; Straddlemount	SP0100	\$76.06	
1	338-1301	Hanger; Undermount	SP0162	\$76.06	
2	338-1302	Hanger; Straddlemount	SP0110	\$84.77	
2	338-1303	Hanger; Undermount	SP0161	\$149.29	
3	338-1304	Hanger; Straddlemount	SP0120	\$63.45	
3	338-1305	Hanger; Undermount	SP0160	\$59.94	
4	338-1306	Assembly, Equalizer	SP0131	\$80.78	Can Use 338-378
5	334-825	Assembly, Bolt; 1"-14 x 6"Lg	XB-SP0050-73	\$11.28	Incl. Bolt & Flanged Lock Nut
6	334-343	Assembly, Bolt; Rebound; 5/8"-18 x 4 1/2"Lg	XB-SP0050-71	\$3.60	Incl. Bolt, Tube & Lock Nut

Call us if you can't find or identify the part you need

7	321-268	Bushing; 1"ID x 4"Lg	XB-SP0054-05	\$24.48	
8	345-157	Torque Rod, Adjustable; 18 1/4"-21 1/2"Lg	SP0123	\$86.08	Incl. 321-153 Bushings; Cast End
8	345-813	Torque Rod, Rigid; 19 1/4"Lg c/c	SP0143	\$42.59	Incl. 321-153 Bushings
9	334-826	Assembly, Bolt & Bushing		\$13.08	Incl. 321-153 Bsh & 334-827 Blt Assy
10	334-827	Assembly, Bolt; 7/8"-14 x 4 3/4"Lg	XB-SP0050-75	\$10.73	334-1206B Bolt & 334-373 Lock Nut
11	321-153	Bushing; 7/8"ID x 1 29/32"OD x 3"Lg	XB-SP0054-02	\$4.18	
12	338-1851	Saddle, U-Bolt	SP0178	\$14.08	All Axles; Sq. U- Bolts
12	338-381	Saddle, U-Bolt; 3"W x 7 1/2"Lg; Fabricated	SP0174	\$10.28	All Axles; Round U- Bolts; U-Bolts Down
13	GL-295	Liner; 2 7/8" x 8"Lg w/7/8" Hole	SP0049	\$2.93	
14	338-1807	Bracket/Seat; 2 3/4", 5" Round Axle	SP0149-05	\$84.43	
14	338-1308	Seat; 1 1/4", 5" Round Axl	SP0142-02	\$46.11	
14	338-1307	Seat; 3/4", 5" Round Axles	SP0142-01	\$44.69	
15	338-415	Plate, Bottom U-Bolt Clamp; Fabricated	SP0099	\$21.61	5" Round Axles, 7/8" U-Bolts
16	338-1309	Bracket, Torque Rod/Axle; 5" Round Axles; No Hop	SP0170	\$82.38	
17	338-399	Seat; 3/4", 5" Round Axles; No Hop	SP0172-01	\$40.42	Rear Axle Only
17	338-401	Seat; 1 3/4", 5" Round Axles; No Hop	SP0172-03	\$47.05	Rear Axle Only
18	361-292	Kit, U-Bolt; Square Bend, Grade 8	SP0074-G/S	\$31.18	3/4" x 3" x 12 3/8" S
18	361-272	Kit, U-Bolt; Square Bend, Grade 8	SP0074-T/Y	\$32.03	3/4" x 3" x 18 3/8" S
18	361-469	Kit, U-Bolt; Round Bend, Grade 8	SP0075-01/03	\$27.86	3/4" x 3" x 12 5/8" R
18	361-196	Kit, U-Bolt; Round Bend, Grade 8	SP0075-04/C	\$29.94	3/4" x 3" x 15 5/8" R

Call us if you can't find or identify the part you need