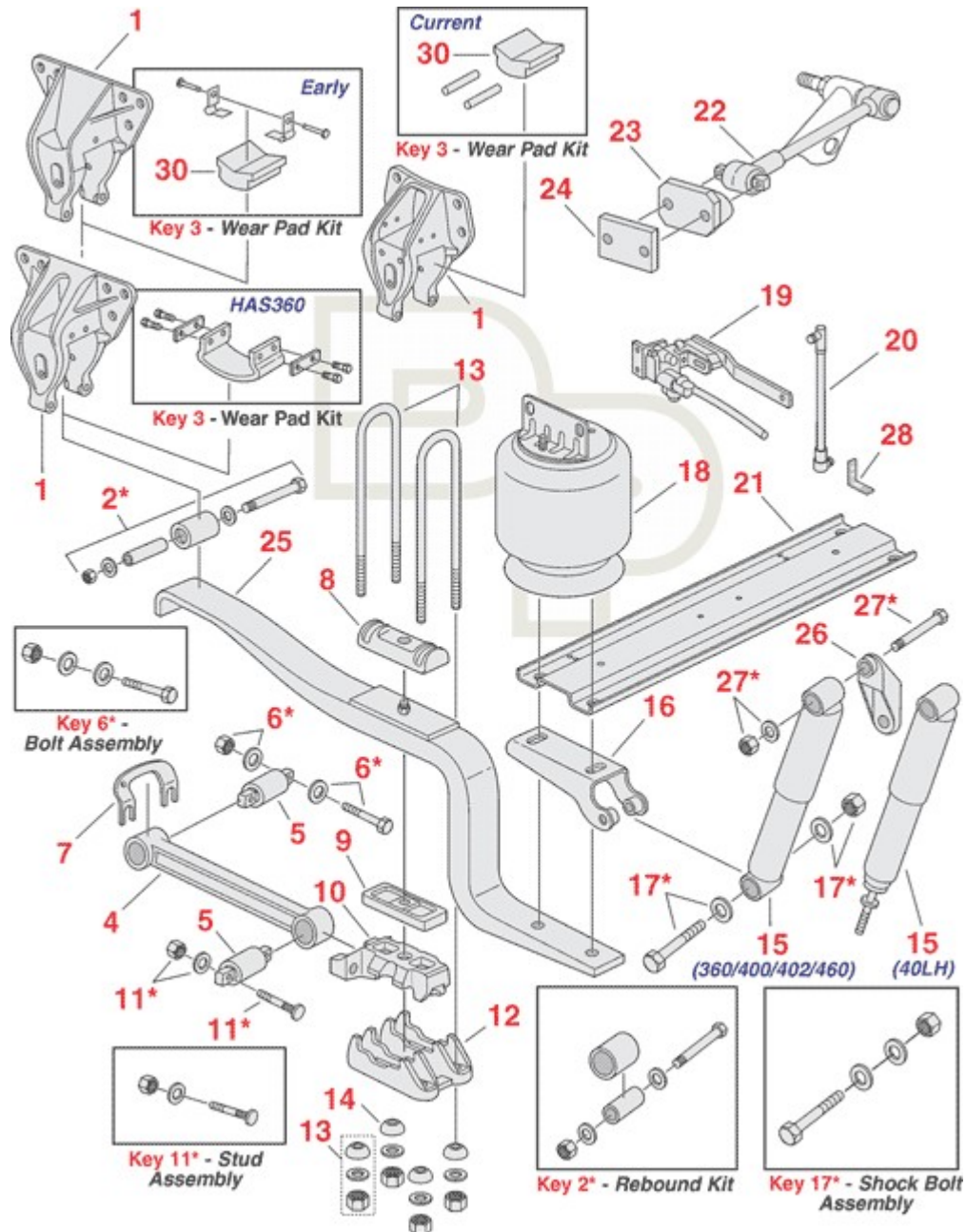


# LONG LIFE

# fleet

Hendrickson Rear Air Suspension - HAS 120/150/190/210/230,  
HAS 360/400/402/40LH/460 Single/Tandem Axle



Call us if you can't find or identify the part you need

Hendrickson Rear Air Suspension - HAS 120/150/190/210/230,  
HAS 360/400/402/40LH/460 Single/Tandem Axle

	<b>Part #</b>	<b>Description</b>	<b>OEM #</b>	<b>Price</b>	<b>Note</b>
25	50-389	Single Leaf Z Spring	56946-000	\$228.29	
25	50-387	Single Leaf Z Spring	56943-000	\$210.17	
25	50-403	Single Leaf Z Spring	57217-000	\$216.72	
1	338-1257	Hanger Assembly - Hendrickson HAS-360	50753-1	\$209.12	Casting No. 49848, 56666; Incl. Wear Pad
1	338-1828	Hanger Assembly; Front	58425-1	\$145.19	Integral Wear Pad; Replaces 338-1258 (50752-1)
1	338-2007	Hanger; 400/402/460/40LH w/Reinforced Frame	58688-1	\$141.90	Casting No. 57436; Replaces 57478-1
1	338-1833	Hanger	57190-2	\$168.41	Mack Only
1	338-2173	Hanger	64484-1	\$126.04	Mack Only; 20mm Bolts
2	334-527	Assembly, Bolt; Rebound; 1/2"-13 x 5"Lg	49175-14 / 49175-5	\$13.11	Incl. Bolt, Tube, Roller & Hdwe.
3	334-833	Wear Pad Service Kit; HAS360	56557-2	\$20.44	Incl. Wear Pad & Mounting Hdwe.
3	334-1602	Wear Pad Kit; HAS400/402/460/40LH	56557-4	\$21.46	Early; Clip Type
3	334-1603	Wear Pad Kit	56557-5	\$13.00	Current; Pin Type
3	MMB625	Wear Pad Kit; HAS400/402/460/40LH	56557-6		
4	345-815	Torque Rod, Rigid; Cast; 14.41"Lg	48411-6	\$128.22	Incl. 321-223 Bushings
4	345-734	Torque Rod, Rigid; 14.41"Lg, Forged	32271-102	\$136.37	Incl. 321-123 Bushing; HAS460 Prior to 08/01/95
4	345-792	Torque Rod, Rigid; 14.41"Lg	62007-365 / 50376-1	\$100.01	Ultra-Rod
4	345-906	Torque Rod, Adjustable; 14-16"Lg	17QF466M	\$134.58	Mack AL40
5	321-223	Bushing; 4-3/8" c/c x 5/8" Bolts	47691	\$20.98	Straddlemount

Call us if you can't find or identify the part you need

5	321-279	Bushing; 2.46"OD x 4-3/8" c/c	57256	\$41.61	5/8" Bolts; Use w/345-200
5	321-132	Bushing; Straddlemount; 2-3/4"OD x 4-3/8" c/c	44695, 227720	\$30.20	5/8" Bolts; 1 1/4" Forged Rod
6	334-768	Assembly, Bolt; 5/8"-18 x 4-1/2"Lg	49176-1	\$4.03	Incl. Bolt & Hdwe.
7	334-526	Shim; 1/16"Thk 4-3/8" c/c	49689	\$4.75	
8	338-1560	U-Bolt Saddle	56805	\$39.53	
8	M1910	U-Bolt Saddle	57195	\$17.04	40LH
9	338-1140	Spacer; 1"	48902	\$16.92	
9	338-1141	Spacer; 1-1/2"	48903	\$29.51	
11	334-931	Assembly, Stud; Axle Seat	50918	\$5.00	Incl. Stud, Washer & Nut
12	338-1998	Plate, Bottom; 10-14° Pinion	50222-6 / 50221	\$103.54	LHR - MeritorSSHD, RT46-157; Dana D402/403/451
12	338-1999	Plate, Bottom; 10-14° Pinion	50222	\$53.11	RHR - MeritorSSHD, RT46-157; Dana D402/403/451
12	338-2437	Plate, Bottom; 0-9.5°; LH	50085,	\$62.63	
12	338-2438	Plate, Bottom; 0-9.5°; RH	50086,	\$62.63	
15	M65480	Shock Absorber	60685-1 / 60680-1	\$84.07	40LH Hi-Torque; Ref. M65480
15	M66656	Shock Absorber	57241-4	\$57.25	40LH
15	341-60680-2	Shock Absorber	060680-002	\$54.43	40LH; Ref. M65480
15	341-60670-3	Shock Absorber	60670-3	\$75.13	15K Low Profile; Ref. M65420
15	M65483	Shock Absorber	60675-5	\$85.09	
15	341-60670-5	Shock Absorber	60670-5	\$59.78	19/21/23/36/40/46K; Ref. M65484 Applications
15	M65485	Shock Absorber	59305-1	\$58.66	
15	M65411	Shock Absorber	47902-19	\$80.40	210/230L
15	M65478	Shock Absorber	60670-7	\$82.86	400, 402 & 460; Standard Inboard Rear
15	M65431	Shock Absorber	60675-6	\$83.29	400, 402 & 460; High Torque

Call us if you can't find or identify the part you need

## Inboard Rear

15	M65481	Shock Absorber	60670-8	\$84.21	400L, 402L & 460L
15	M65479	Shock Absorber	60670-10	\$72.94	120L
15	341-60675-3	Shock Absorber	60675-3	\$83.39	19/21/23K Hi-Torque; Ref. M65484
16	334-1713	Assembly, Bracket; Shock Absorber	57356	\$56.88	Incl. Shank Bolt & Hardware
16	334-2008	Shock Absorber Bracket	49690-2	\$44.96	L Models; Incl. Bolt & Hardware
17	334-1117	Assembly, Bolt; 3/4"-16 x 5-1/2"Lg	50764-2	\$9.45	Incl. Bolt & Hdwe.
18	50898-002L	Air Spring	50898-2	\$158.89	HAS 40LH
18	57122-002L	Air Spring	57122-2	\$151.28	
18	56917-002L	Air Spring	56917-2	\$172.92	HAS 400/402L
18	57920-002L	Air Spring	57920-2	\$325.32	HAS120
19	334-1648	Valve, Height Control; w/Dump	57977	\$96.30	
20	334-751	Linkage Assembly; Universal Adjustable	HPB450-3	\$12.88	3 5/8"-19 5/8" Range; Use w/All Height Control Valves
21	338-2187-1	Cross Channel; 40"	57317-1	\$170.18	w/Std Shock Mounting, All Ex 120/40LH; HCV Bracket Not Included
21	338-2187-2	Cross Channel; 40-1/4"	57317-2	\$171.79	w/Std Shock Mounting, All Ex 120/40LH; HCV Bracket Not Included
22	345-897	Kit, Torque Rod; Straddle/Taper Pin	60215	\$148.52	Use 345-610 & 345-681
22	345-866	Kit, Torque Rod; Straddlemount	60218	\$126.66	Use 345-610 & 345-661

Call us if you can't find or identify the part you need

22	345-661	Torque Rod End; Male; Straddlemount; 22-1/2"Lg	66661 / 46661	\$67.34	5/8" Bolts, 4 3/8" Spacing
22	345-610	Torque Rod End; Female; Straddlemount	66610 / 46610	\$65.37	5/8" Bolts, 4 3/8" Spacing
22	345-681	Torque Rod End; Male; Taper Stud; 22-1/2"Lg	66681 / 46681	\$95.02	1 1/4"-12, 2.90" Taper
23	338-181	Bracket, Track Rod/Frame	22186	\$15.40	For 5/8" Bolts
24	334-638	Plate, Reinforcement	45045-3	\$17.35	
26	334-1930	Assembly, Bracket; Shock Absorber; Upper	57322-1	\$33.00	Includes Hdwe.
27	334-1115	Assembly, Bolt; Shock Absorber	50368	\$10.73	Incl. 1/2"-13 Serrated Shank Bolt Washers & Nut
28	334-1717	Bracket, HCV Linkage	56789	\$5.26	Front Engine
29	339-323	Kit, Service; Heavy Duty MSM	49175-24	\$744.12	Retrofit (1) Axle to Heavy Duty Main Support Members; Incl. (2) HD MSM & Special Rebound Kit
30	334-1597	Wear Pad	56929	\$12.14	Included in 334-1602/1603 Kits

Call us if you can't find or identify the part you need