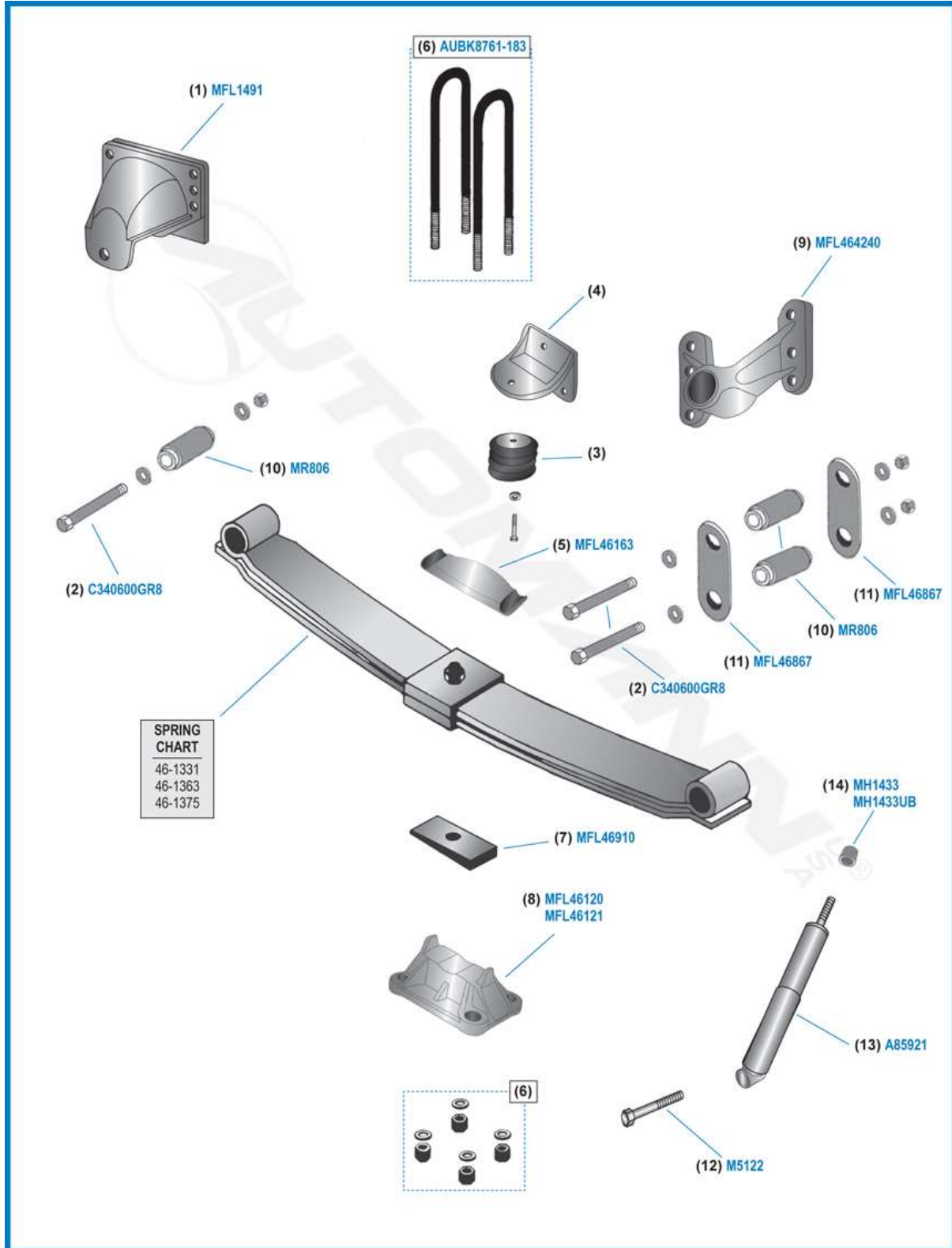


# Suspension Schematic: Freightliner Rear 3" Eye / Eye (Freightliner M2BC & Sterling Acterra)

[Schematic](#) [Parts List](#)



Automann / Interchange Part # or Keyword

Call: 1-888-288-6626 Text: 856-263-4600

Home Category Brand Make/Model New Arrivals Wizards Schematics Quick Links Help

Key	Part No.	OEM Ref.	Req.	Description	Notes
1	<a href="#">MFL1491</a>	A1615931000	2	Hanger	F of R, H Duty, LH & RH
2	<a href="#">C340600GR8</a>	2312950001 / 2309446600	2	Bolt	3/4"-10- x 6.0" Lg., Gr8
3	Ref.	1615868000	2	Helper Spring	Rubber
4	Ref.	1616459000	2	Helper Bracket	Use 161586800 Helper Spg.
5	<a href="#">MFL46163</a>	1616163000	2	Ubolt Top Plate	3.0" Wd.
6	<a href="#">AUBK8761-183</a>	1124813000	2	Ubolt Kit	7/8" x 3.0" Frd. x 18-3/8" Lg.
7	<a href="#">MFL46910</a>	1124910000	2	Axle Seat	3°, 3.0" Wd.
8	<a href="#">MFL46120</a>	1124912000	2	Bottom Ubolt Plate	3°, LH
8	<a href="#">MFL46121</a>	1124912001	2	Bottom Ubolt Plate	3°, RH
9	<a href="#">MFL464240</a>	A1616424000 / 1615866000	2	Shackle Hanger	Uses MR806 Bushing, Verify
10	<a href="#">MR806</a>	1616133000	2	Bushing	3/4" ID x 2.0" OD x 3-9/16" OAL
11	<a href="#">MFL46867</a>	1615867000	4	Side Bar	2-3/4" Holes, 4-1/2" CtoC
12	<a href="#">M5122</a>	2309446500	2	Bolt	Shock Lower, 3/4"-10 x 5.0" Lg.
13	<a href="#">A85921</a>	1615765000 / 1618707000	2	Shock	Verify w/ Shock Catalog, S21/ES36
14	<a href="#">MH1433</a>		2	Bushing	Shock, 5/8" ID, For Stud Type Ends
14	<a href="#">MH1433UB</a>		2	Bushing	Poly
SC	<a href="#">46-1331</a>				
SC	<a href="#">46-1363</a>				
SC	<a href="#">46-1375</a>				
SC	<a href="#">46-1397</a>				
SC	<a href="#">46-1403</a>				
SC	<a href="#">46-1405</a>				
SC	<a href="#">46-1317</a>				
SC	<a href="#">46-1437</a>				
SC	<a href="#">46-1435</a>				
SC	<a href="#">46-1329</a>				
SC	<a href="#">46-1329OE</a>				
SC	<a href="#">46-1319</a>				
SC	<a href="#">46-1321</a>				Helper

