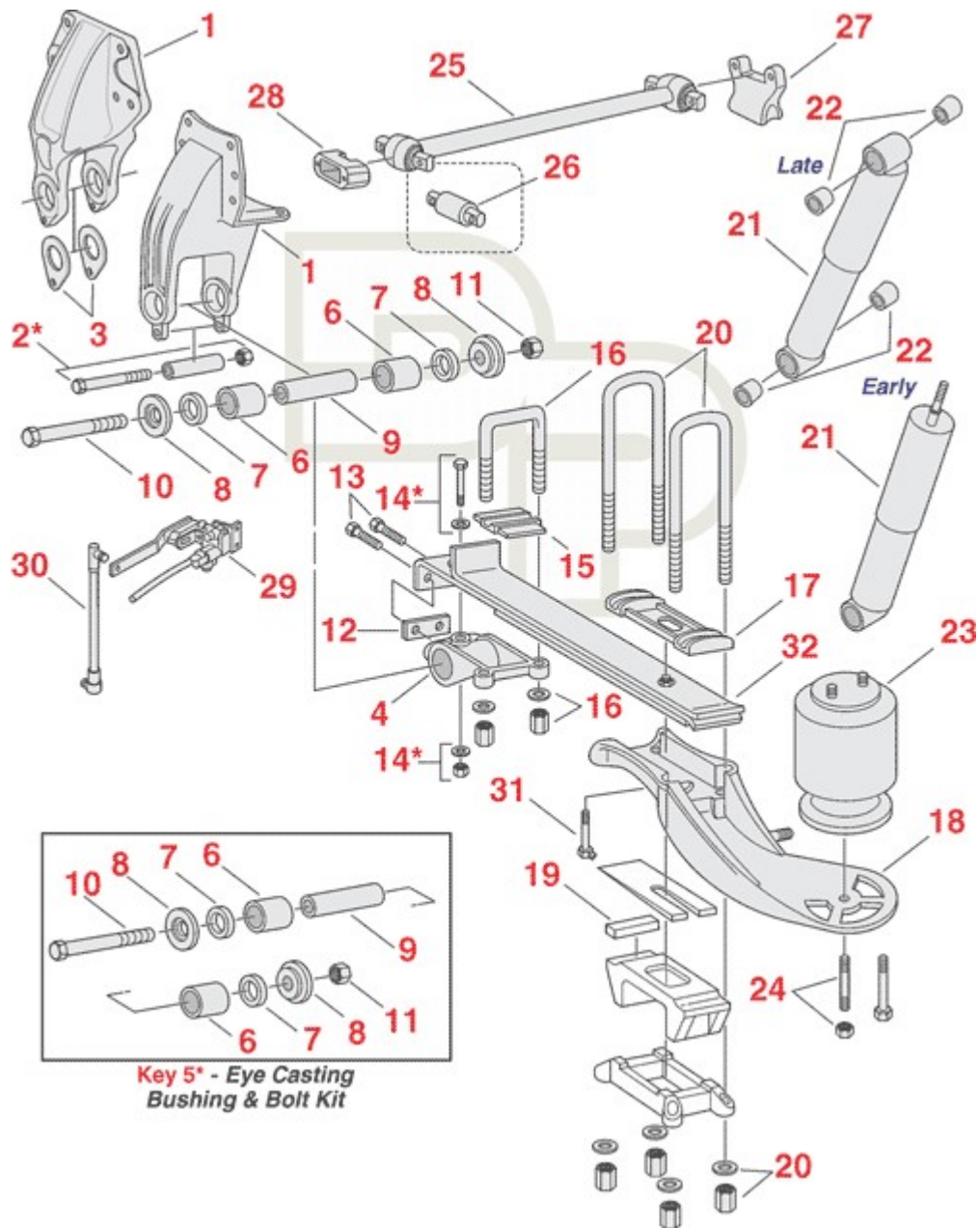




Peterbilt Rear Suspension - Air Leaf® Single/Tandem Axle



Call us if you can't find or identify the part you need

## Peterbilt Rear Suspension - Air Leaf® Single/Tandem Axle

	<b>Part #</b>	<b>Description</b>	<b>OEM #</b>	<b>Price</b>	<b>Note</b>
32	75-129	2 Leaf Parabolic Spring  75-129 - Premium US* 75-129 - Economy Import**	03-03953 / 03-04596 / 03-07353 / C81-6008	\$199.10 \$152.00	
1	338-1223	Hanger	01-44585M001 / 01-21518	\$262.59	
1	338-2059	Hanger	03-07328M001	\$254.27	Newer
2	334-1793	Kit, Rebound; 1/2" x 6-1/2"Lg		\$10.08	Incl. Nut & Roller
3	334-2210	Washer, Wear	03-07148,	\$11.04	Newer; 03+
4	338-1224	Eye Casting	03-01654	\$29.96	
5	334-460	Assembly, Bushing & Bolt	03AL1	\$50.14	Incl. Bushings, Sleeve, Washers & Hdwe.; For 338-1224
5	334-460U	Assembly, Bushing & Bolt; Urethane		\$70.36	Incl. Bushings, Sleeve, Washers & Hdwe.; For 338-1224
6	320-108	Bushing; 1-3/4"ID x 2-1/2"OD x 2-3/4"Lg	03-01674	\$8.49	
6	320-108U	Bushing, Urethane		\$9.43	
7	334-456	Washer, Urethane; 1-3/4"ID x 2-5/8"OD x 15/16"Thk	03-01675	\$7.25	
8	334-457	Washer, Compression; 1"ID x 3-1/4"OD x 3/8"Thk	03-01670	\$9.90	
9	334-459	Sleeve; 1"ID x 1-3/4"OD x 5-3/4"Lg	03-01669	\$13.51	
10	334-458	Bolt; 1"-14 x 8-1/2"Lg	03-01668	\$12.08	
11	SLN-107	Nut, Lock; 1"-14		\$2.88	
12	334-1158	Shim; 1-1/2" x 3-3/4" x .062"Thk	16-10790-000	\$1.88	

Call us if you can't find or identify the part you need

13	334-1433	Bolt, Flange Head; 3/4"-10 x 2-1/4"Lg	27-00286-009	\$6.14	
14	334-626	Assembly, Bolt; 3/4"-10 x 5"Lg		\$8.83	Incl. Bolt & Hdwe.
15	338-725	Plate, Spring Eye U-Bolt; 4"W x 3-1/2"Lg	03-01657	\$14.74	
16	361-161	Assembly, U-Bolt; 3/4" x 4-1/16" x 5-7/8" S, Grade8	03-01661	\$20.35	3/4" x 4" x 5-7/8" S
17	338-718	Saddle, U-Bolt; Iron	03-01656	\$12.20	OE is Aluminum
18	338-812	Paddle, Air Spring; RH	03-02559R	\$352.23	Steel; To '99
18	338-811	Paddle, Air Spring; LH	03-02559L	\$352.23	Steel; To '99
18	338-2382	Paddle, Air Spring; LH	03-08163L	\$409.41	Steel; 2000+
18	338-2383	Paddle, Air Spring; RH	03-08163R	\$409.41	Steel; 2000+
20	361-167	Kit, U-Bolt; Special Bend, Grade 8	03-3134-151	\$55.14	1" x 4" x 15-7/8" PR
21	M65448	Shock Absorber	03-04176	\$86.59	
21	M65402	Shock Absorber	03-04629	\$75.93	
22	401754	Shock Bushing; 1"ID	1610722000	\$3.05	
23	352-9069	Air Spring	03-04759	\$140.48	
24	334-823	Assembly, Stud; 1/2"-20/13 X 5"Lg	03-02425 / 27-00173	\$8.05	Incl. Stud & Lock Nut
25	345-210	Torque Rod, Rigid; 22-7/8"Lg; 0°/0°	03-04059	\$132.93	Incl. 321-131 Bushings
25	345-974	Torque Rod, Rigid; 22-7/8"Lg; 0/0		\$106.34	High Confinement Ends (2008+)
26	321-131	Bushing; 2-17/32"OD x 4-3/8" c/c		\$29.33	For 5/8" Bolts & 1-1/8" Rod Diameter
27	338-663	Bracket, Torque Rod; Rear	03-02550	\$110.74	
27	338-662	Bracket, Torque Rod; Front	03-02555	\$110.74	
28	338-779	Bracket, Track Rod Frame; Straddlemount	03-02435	\$21.52	3/4" Bolts
29	334-750	Valve, Height Control; Universal	H00450CA	\$69.03	Hadley, Model 450HCV
30	334-751	Linkage Assembly; Universal Adjustable	HPB450-3	\$12.88	3-5/8"-19-5/8" Range; Use w/All Height Control Vlv

Call us if you can't find or identify the part you need

\* Premium version with 12 month warranty.  
\*\* Economy version with 6 month warranty.

Call us if you can't find or identify the part you need