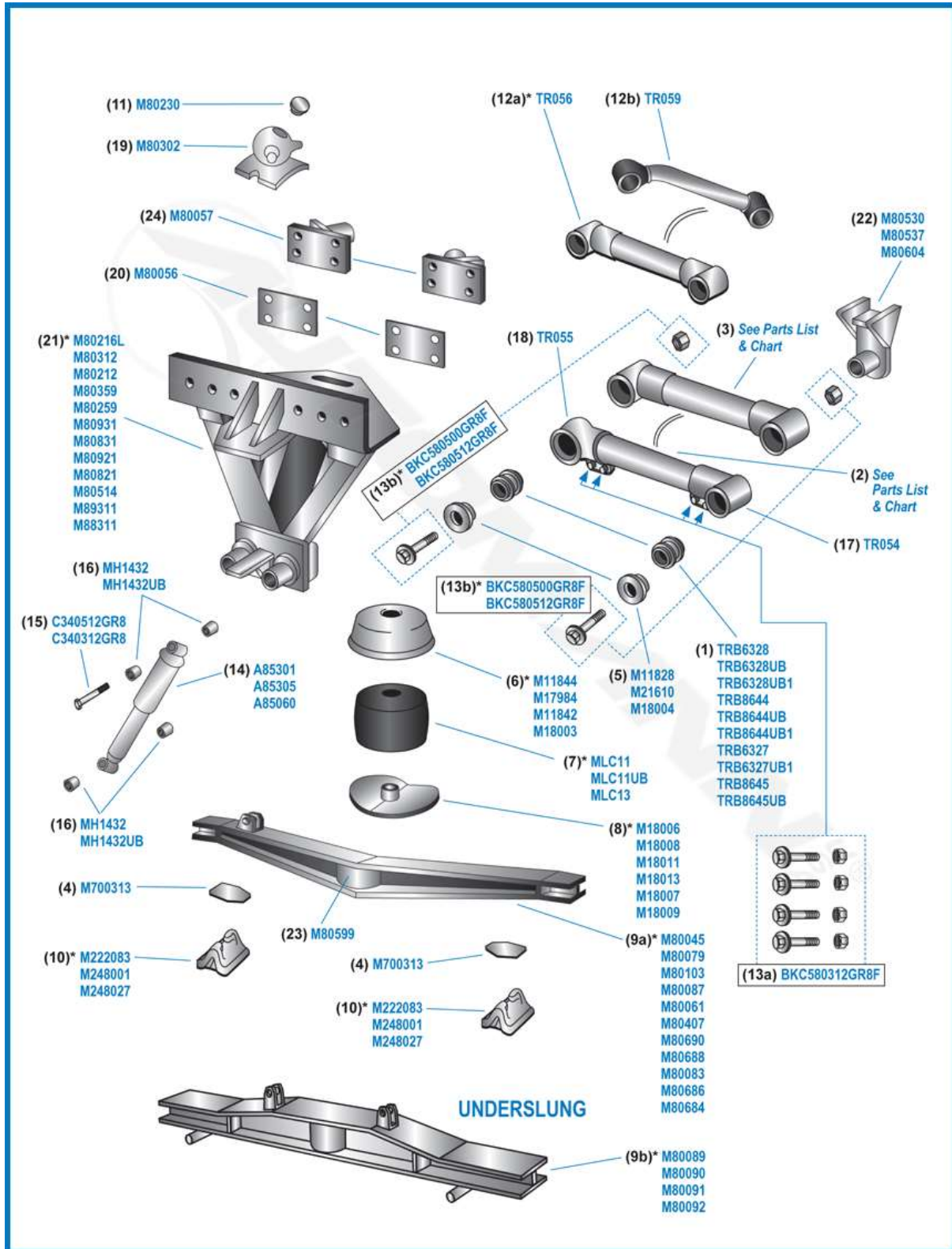


Suspension Schematic: Chalmers Rear 800 Truck (Updated)

Schematic Parts List





Key	Part No.	OEM Ref.	Req.	Description	Notes
1	TRB6328	22128 / 22082		T/Rod Bushing	Rubber, 40K, Type "0" & "1" Joint, XL Series, Standard
1	TRB6328UB			T/Rod Bushing	Poly, 40K, Type "0" & "1" Joint, XL Series, Standard
1	TRB6328UB1			T/Rod Bushing	Poly, 2pc., 40K, Type "0" & "1" Joint, XL Series, Standard
1	TRB8644	800010	32	T/Rod Bushing	Rubber, 46K to 100K, Type "2" Joint, Standard
1	TRB8644UB		32	T/Rod Bushing	Poly, 46K to 100K, Type "2" Joint, Standard
1	TRB8644UB1		32	T/Rod Bushing	Poly, 2pc., 46K to 100K, Type "2" Joint, Standard
1	TRB6327	22129	A/R	T/Rod Bushing	Rubber, 40K, Type "0" & "1" Joint, Oversized
1	TRB6327UB1		A/R	T/Rod Bushing	Poly, 2pc., 40K, Type "0" & "1" Joint, Oversized
1	TRB8645	800009		T/Rod Bushing	Rubber, 46K to 100K, Type "2" Joint, Oversized
1	TRB8645UB			T/Rod Bushing	Poly, 46K to 100K, Type "2" Joint, Oversized
2	TR051	216214		Adjustable T/Rod	21-1/2" Mean CtoC, Type "0" & "1" Joint, Forward Axle
2	TR050	216240		Adjustable T/Rod	24.0" Mean CtoC, Type "0" & "1" Joint, Rear Axle
2	TMR8714	807214		Adjustable T/Rod	46K, Type "2" Joint, 21-5/8" CtoC
2	TMR8716	807216		Adjustable T/Rod	46K, Type "2" Joint, 21-3/4" CtoC
2	TMR8720	807220		Adjustable T/Rod	Type "2" Joint, 22.0" CtoC
2	TMR8750	807250		Adjustable T/Rod	46K, Type "2" Joint, 25.0" CtoC
2	View Charts	Various		Adjustable T/Rod	
3	TR052	223214		Rigid T/Rod	Type "0" & "1" Joint, 21-1/2" CtoC, Forward Axle
3	TR053	223240		Rigid T/Rod	Type "0" & "1" Joint, 24.0" CtoC, Rear Axle
3	TMR8514	805214		Rigid T/Rod	46K, Type "2" Joint, 21-1/2" CtoC
3	TMR8516	805216		Rigid T/Rod	21-3/4" CtoC
3	TMR8520	805220		Rigid T/Rod	22.0" CtoC
3	TMR8540	805240		Rigid T/Rod	46K, Type "2" Joint, 24.0" CtoC
3	View Charts	Various		Rigid T/Rod	
4	M700313	700313	4	Beam End Repair Plate	All Beams
5	M11828	260002	16	Spigot Cap	Type "0" Joint, 36K, 40K, Before '01/93, 3-3/4" OD
5	M21610	800201	16	Spigot Cap	Type "1" Joint, 40K, '01/93 & Above, 4.0" OD
5	M18004	800055	16	Spigot Cap	Type "2" Joint, 46K to 100K, 4-1/2" OD
6	M11844	373020 / 373028	2	Restrictor Can	#20 & #28, Standard
6	M17984	373021 / 373029	2	Restrictor Can	#21 & #29, High Stability
6	M11842	373015	2	Restrictor Can	36K, #15, Standard
6	Ref.	373032	2	Restrictor Can	65K - 80K
6	Ref.	07500001	2	Restrictor Can	100K, #26 HD
7	MLC11	15002	2	Load Spring	#20, 40K - 58K
7	MLC11UB		2	Load Spring	Poly, #20, 40K - 58K
7	MLC13	15015	2	Load Spring	#15, 36K, 7.0" Hgt. x 7-1/2" Dia.
7	Ref.	15026	2	Load Spring	#26, 65K - 100K
8	M18006	800117 / 800689	2	Spring Plate	40-50K, High Mount for 54" Spread, 9.3° Bend, Verify
	M18008	800125 / 800691	2	Spring Plate	40-50K, Low Mount for 54" Spread, 12.5° Bend, Verify



Home	Category ▾	Brand ▾	Make/Model ▾	New Arrivals ▾	Wizards ▾	Schematics ▾	Quick Links ▾	Help ▾
8	M18007	800763 / 5HR705	2	Spring Plate	Use w/M80407 Beam 54" 46K or OEM 800759 60" 46-50K or OEM 800799 54" 50K X-High Mount Beams Only, Verify			
8	Ref.	800417 / 04S00086		Spring Plate	40-50K, High Mount for 72" Spread, Verify			
8	Ref.	04S00010		Spring Plate	High & Low Mounts, 100K, 65" & 72"			
8	Ref.	04S00019		Spring Plate	High & X-Low Mounts, 80K, 65"			
8	Ref.	04S00026		Spring Plate	High, Low & X-Low Mounts, 65K, 60" & 65"			
8	Ref.	04S00045		Spring Plate	High, Low & X-Low Mounts w/37" Beam Centers, 65K, 60" & 65"			
8	M18009	04S00034		Spring Plate	X-Low Mount, 40K			
8	Ref.	Various		Spring Plate	Verify Series, Spacing & Mount Types			
9a	M80045	04500005	2	Walking Beam	54" Axle Spread, 40K, Low Mount			
9a	M80079	800079	2	Walking Beam	54" Axle Spread, 40K, Low Mount, Use w/M18008 Plate			
9a	M80103	800103	2	Walking Beam	54" Axle Spread, 40K, High Mount, Use w/M18006 Plate			
9a	M80087	800087	2	Walking Beam	54" Axle Spread, 46K, Low, Use w/M18008 Plate, Verify			
9a	M80061	800061	2	Walking Beam	54" Axle Spread, 46K, High, Use w/M18006 Plate, Verify			
9a	M80407	04500007	2	Walking Beam	Oshkosh, Extra Arch Special, 54" Axle Spread, 46K, X-High Mount, Use w/M18007 Plate			
9a	M80690	800690	2	Walking Beam	54" Axle Spread, 50-58K, Low, Use w/M18008 Plate, Verify			
9a	M80688	800688	2	Walking Beam	54" Axle Spread, 50-58K, High, Use w/M18006 Plate, Verify			
9a	M80083	800083	2	Walking Beam	60" Axle Spread, 46K, Low, Use w/800687, Verify			
9a	M80686	800686	2	Walking Beam	60" Axle Spread, 50-58K, Low Mount, Use w/M18013 Plate			
9a	M80684	800684	2	Walking Beam	60" Axle Spread, 50-58K, High, Use w/800685 Plate, Verify			
9a	Ref.	800111	2	Walking Beam	60" Axle Spread, 46K, High, Use w/800685, Verify			
9a	Ref.	800202	2	Walking Beam	72" Axle Spread, 46K, Low, Use w/800685, Verify			
9a	Ref.	800029	2	Walking Beam	72" Axle Spread, 46K, High, Use w/04S0086, Verify			
9a	Ref.	800095	2	Walking Beam				
9a	Ref.	800099	2	Walking Beam				
9a	Ref.	800107	2	Walking Beam				
9a	Ref.	800456	2	Walking Beam				
9a	Ref.	800759	2	Walking Beam				
9a	Ref.	800799	2	Walking Beam				
9b	M80089	04S00089	2	Walking Beam	RH, Underslung, 54" Axle Spread, 40K, Use w/M18009 Plate			
9b	M80090	04S00090	2	Walking Beam	LH, Underslung, 54" Axle Spread, 40K, Use w/M18009 Plate			
9b	M80091	04S00091	2	Walking Beam	RH, Underslung, 54" Axle Spread, 46K, Use w/M18009 Plate			
9b	M80092	04S00092	2	Walking Beam	LH, Underslung, 54" Axle Spread, 46K, Use w/M18009 Plate			
9b	Ref.	04S00017	2	Walking Beam				
10	M222083	222083	4	Saddle	Verify			
10	M248001	248001	4	Saddle	Rockwell Axles, Verify			
10	Ref.	31007	4	Saddle	5.0" Sq. Drive Axles, Verify			
10	M248027	248027	4	Saddle	High, Verify			
11	M80230	800230	2	Tower Plug				
2a	TR056	223157	4	Upper Rigid T/Rod	For 40K, 15-7/8", Type "1" Joint, XL Series, 15-7/8" CtoC			



12a	Ref.	805157	4	Upper Rigid T/Rod	For 46K, 15-7/8", Type "2" Joint
12b	TR059	800049	4	Upper Rigid T/Rod	Curved Design For 46K 50-58K, 24-1/4", Type "2" Joint
13a	BKC580312GR8F	K880230	2	Bolt Kit	5/8"-11 x 3-1/2" Lg. (HDW380), Verify
13b	BKC580500GR8F	K880640	2	Bolt Kit	5/8"-11 x 5.0" Lg. (HDW381), Verify
13b	BKC580512GR8F	K880231	2	Bolt Kit	5/8"-11 x 5-1/2" Lg. (HDW382), Verify
13b	Ref.		2	Bolt Kit	5/8"-11 x 6.0" Lg. (HDW388), Verify
14	A85301	800670	4	Shock	High Mount, 46K, Verify w/Shock Catalog, EB3/EB3
14	A85305	800781	4	Shock	Low Mount, 46K, Verify w/Shock Catalog, EB3/EB3
14	A85060	665174	4	Shock	Standard Mount, 40 & 46K, Verify w/Shock Catalog, ES36/ES36
15	C340512GR8	HDW372		Bolt	3/4"-10 x 5-1/2" Lg.
15	C340312GR8	HDW375		Bolt	3/4"-10 x 3-1/2" Lg., Can Use F340312GR8
16	MH1432	401754		Shock Bushing	1.0" ID., For EB3 Ends
16	MH1432UB	401754		Shock Bushing	Poly
17	TR054	22045	A/R	T/Rod End	RH, 300, 600, 800 Ser., Type "0" Only, Verify
18	TR055	22046	A/R	T/Rod End	LH, 300,600, 800 Ser., Type "0" Only, Verify
19	M80302	800302 / 3535564C1	A/R	Tower Assembly	Uses M80230 Plug
20	M80056	800056	A/R	Spacer Plate	1/8"
21	M80216L	800216	A/R	Triangular Frame Bracket	LH/RH, Kenworth Drill Pattern, 46K Blank not Drilled
21	M80312	833212	A/R	Triangular Frame Bracket	LH, Western Star Etc., Verify Fitment
21	M80212	832212	A/R	Triangular Frame Bracket	RH, Western Star Etc., Verify Fitment
21	M80359	833509 / 5HR714	A/R	Triangular Frame Bracket	LH
21	M80259	832509 / 5HR713	A/R	Triangular Frame Bracket	RH
21	M80931	849310	A/R	Triangular Frame Bracket	LH
21	M80831	848310	A/R	Triangular Frame Bracket	RH
21	M80921	849211	A/R	Triangular Frame Bracket	LH
21	M80821	848211	A/R	Triangular Frame Bracket	RH
21	M80514	851410	A/R	Triangular Frame Bracket	LH
21	M89311	849311	A/R	Triangular Frame Bracket	LH, 800-46K, 54"
21	M88311	848311	A/R	Triangular Frame Bracket	RH, 800-46K, 54"
21	Ref.	850410	A/R	Triangular Frame Bracket	RH
22	M80530	800530 / 3590970C1	A/R	Axle Bracket	
22	M80537	800537 / 8000774	A/R	Axle Bracket	50K-58K
22	M80604	3500604 / 03500604	A/R	Axle Bracket	Dana-Eaton D40-170, D46-170 Axle, 46K



Automann / Interchange Part # or Keyword

Call: 1-888-288-6626

Text: 856-263-4600

- Home
- Category ▾
- Brand ▾
- Make/Model ▾
- New Arrivals ▾
- Wizards ▾
- Schematics ▾
- Quick Links ▾
- Help ▾

© 2023 Automann USA, Inc. All rights reserved. All content is property of Automann, and may not be reproduced or redistributed in any form.



888-AUTOMANN (+1-888-288-6626)

Any reference to OEM names or OEM product identification numbers/descriptions/model numbers is for identification only and does not indicate that it is an OEM part. When ordering, customers have the option to order using industry references, OEM references or Automann references.