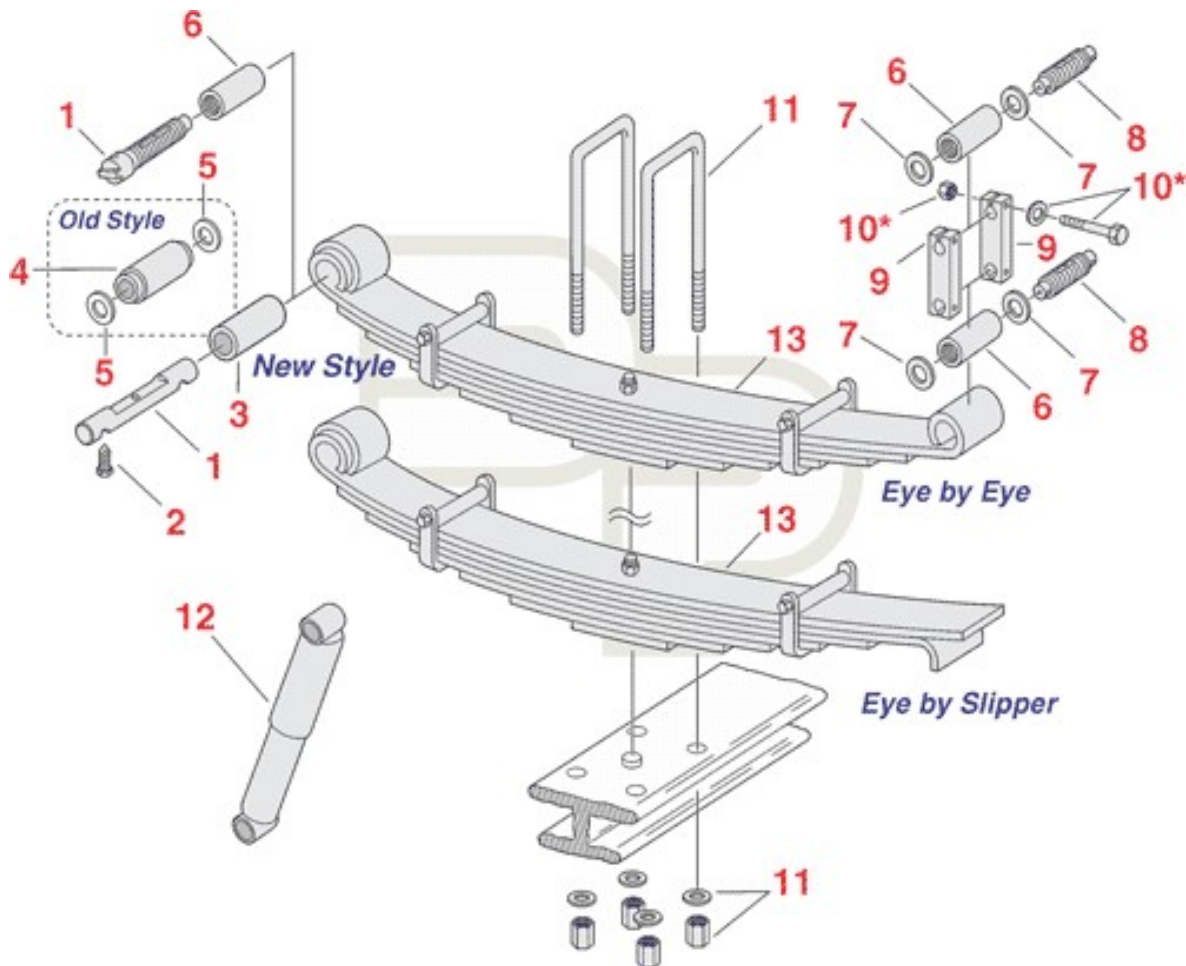


LONG LIFE

fleet

Mack Front Suspension - DM/FL/FS/MC/MR/R/RB
(3-1/2" Wide Eye/Eye or Eye/Slipper Springs)



Call us if you can't find or identify the part you need

Mack Front Suspension - DM/FL/FS/MC/MR/R/RB
(3-1/2" Wide Eye/Eye or Eye/Slipper Springs)

	Part #	Description	OEM #	Price	Note
13	62-890	13 Leaf Spring 62-890 - Premium US* 62-890 - Economy Import**	2QK3377 / 25115073	\$389.40 \$334.37	-
13	62-988	9 Leaf Spring 62-988 - Premium US* 62-988 - Economy Import**	2QK3457 / 25128320	\$546.62 \$352.50	-
13	62-876	16 Leaf Spring 62-876 - Premium US* 62-876 - Economy Import**	2QK3381A / 25099984	\$517.70 \$378.24	-
13	62-834	14 Leaf Spring	2QK3348A / 25117225	\$649.92	-
13	62-1022	12 Leaf Spring (8/4)	2QK3443 / 25111795	\$495.00	-
13	62-832	3 Leaf Parabolic Spring (PD/3) 62-832 - Premium US* 62-832 - Economy Import**	2QK3378P3 / 25165365	\$312.75 \$247.50	-
1	327-330	Spring Pin, Threaded; 1 3/8"-6 x 6 15/16"Lg	44QK25	\$26.79	
1	327-342	Spring Pin; 1 1/4"OD x 6 1/4"Lg x 3/4" c/e	44QK173B	\$13.22	Models R & RD; w/ 3 1/2" Wide Springs
1	327-518	Spring Pin; 1 1/4"OD x 6"Lg	44QK172B	\$12.18	DM 67-97 Eye/Slipper Springs
1	327-347	Spring Pin; 1 1/4"OD x 6 7/8"Lg x 5 3/8" c/c	44QK29302	\$26.51	
1	327-345	Spring Pin; 1 1/4"OD x 7 1/16"Lg x 1 1/16" c/e	44QK19301B	\$19.99	For 3 1/2" Wide Springs

Call us if you can't find or identify the part you need

2	334-1650	Bolt; 7/16"-14 x 1 3/8"Lg	43RU1483B		u/w Loctite or similar thread treatment
				\$5.31	
3	RNI-BM	Bushing; 1 1/4"ID x 1 1/2"OD x 3 1/2"Lg		\$9.98	
4	MB-1	Bushing; 1 1/4"ID x 1 1/2"OD x 3 3/16"Lg	10QK229A	\$17.33	w/Grease Grooves
5	MMCK46	Seal	88AX428	\$1.48	Use w/MB-1
6	TB-69	Bushing; 1 3/4"OD x 3 1/2"Lg x 1 3/8"-6 Thread	10QK148A	\$11.73	
7	MMCK44	Seal, Bushing	88AX423P3	\$2.55	Use w/Threaded Pins
8	327-331	Spring Pin, Threaded; 1 3/8"-6 x 6 9/16"Lg	44QK26A	\$16.96	
8	327-346	Spring Pin, Threaded; 1 3/8"-6 x 7 1/16"Lg	44QK29301B, 44QK205M	\$26.74	2 3/4" Thread Length
9	330-102	Side Bar; 6 5/16"Lg x 4" c/c x 1 1/4"Thk, 1 1/16" Pin Holes	22QK39301	\$20.71	
10	334-550	Bolt Assembly; 1/2"-20 x 3"Lg		\$4.44	Incl. 334-538 Bolt & Hdwe.
11	361-613	Kit, U-Bolt; Square Bend, Grade 8		\$40.06	7/8" x 3 1/2" x 14" S
11	361-214	Kit, U-Bolt; Square Bend, Grade 8	7QK3150P12, 7QK3150P8	\$28.58	3/4" x 3 9/16" x 12 1/8" S
12	M65411	Shock Absorber	14QK366	\$80.40	
12	M66878	Shock Absorber		\$52.90	
12	M66886	Shock Absorber	14QK1200P	\$68.36	

* Premium version with 12 month warranty.

** Economy version with 6 month warranty.

Call us if you can't find or identify the part you need