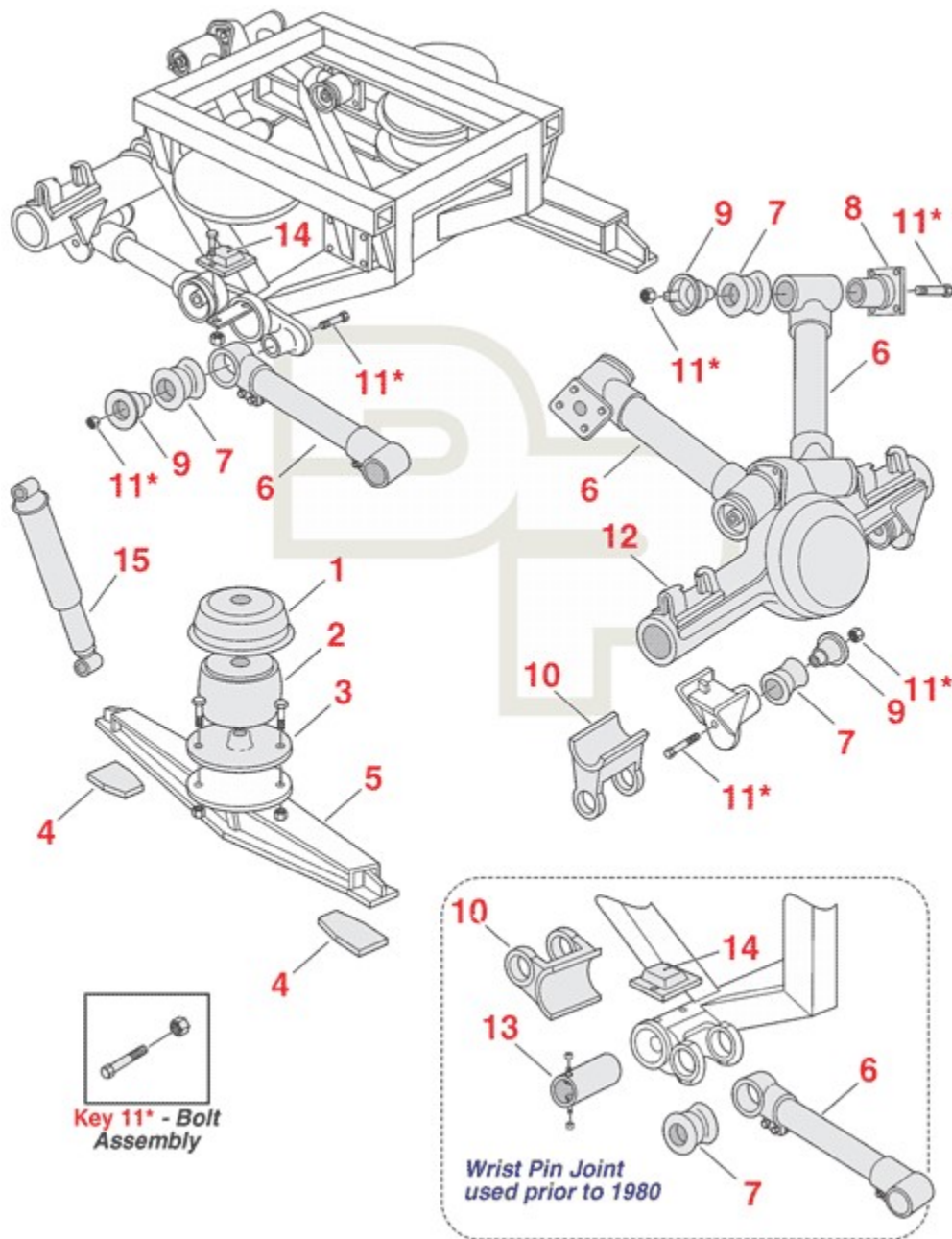




Chalmers - 600 Series Truck Suspension



Call us if you can't find or identify the part you need

Chalmers - 600 Series Truck Suspension

| <u>Part #</u> | <u>Description</u> | <u>OEM #</u> | <u>Price</u> | <u>Note</u> | |
|---------------|--------------------|--|-----------------|-------------|---|
| 1 | 334-860 | Restrictor Can; 4 7/16"H x 12 5/8"Dia. x 3/16"Thk | 373028 / 373020 | \$133.14 | 44k Tandem or Widespread, w/o Hole |
| 1 | 334-861 | Restrictor Can; 5 11/64"H x 11 5/8"Dia. x 3/16"Thk | 373029 / 373021 | \$142.66 | 44k Tandem or Widespread; w/o Hole; High Center of Gravity Applications |
| 2 | 325-156 | Spring, Rubber; 8"H x 9 1/2"Dia | 15002 | \$242.77 | 20k Axle Capacity |
| 3 | 334-864 | Plate, Spring Bottom | 22116 | \$78.16 | 300 & 600 Series |
| 4 | 334-945 | Plate, Beam End Repair; All Beams | 700313 | \$19.88 | Replace Beam When Wear Exceeds .030" |
| 5 | SP | Beam, Walking | Various | \$0.00 | |
| 6 | 345-674 | Torque Rod, Rigid; 21 1/2"Lg c/c | 223214 | \$284.86 | Use 321-273 Bushings, Not Included |
| 6 | 345-676 | Torque Rod, Rigid; 24"Lg c/c | 223240 | \$231.71 | Use 321-273 Bushings, Not Included |
| 6 | 345-685 | Torque Rod, Adjustable; 24" Mean Length | 216240 | \$396.95 | Use 321-273 Bushings, Not Included |
| 6 | 345-678 | Torque Rod, Adjustable; 21 1/2" Mean Length | 216214 | \$343.05 | Use 321-273 Bushings, Not Included |
| 7 | 321-273 | Bushing; 2 3/8"ID x 3 1/8"OD x 3 25/32"Lg | 22128 / 22082 | \$15.31 | Standard OD: Wrist Pin or "O" Joint |
| 7 | 321-273U | Bushing, Urethane | | \$24.01 | Urethane Version of Standard |
| 7 | 321-274 | Bushing; 2 3/8"ID x 3 7/32"OD x 3 25/32"Lg | 22129 | \$26.96 | Oversize OD; Wrist Pin or "O" Joint |
| 8 | 338-1315 | Spigot Base; 25° | 2600010 | | Models 400 & 600 |
| 9 | 321-275 | Cap | 260002 | \$54.78 | Type "O" Joints |
| 10 | 338-1314 | Bracket, Torque Rod; 5" Round Axles | 48017 | | Wrist Pin Type |
| 11 | 334-624 | Assembly, Bolt; 5/8"-11 x 3 1/2"Lg | K880230 | \$12.48 | Incl. Bolt & Hdwe. |
| 12 | 338-1406 | Saddle; Rockwell Axles | 248001 | \$176.40 | |
| 12 | 338-1407 | Saddle, High | 248027 | \$167.10 | |
| 13 | 334-854 | Pin; 2"ID x 2 3/8"OD x 6"Lg | 22037 | \$64.28 | Used on Models Prior to 1980 |
| 14 | 325-159 | Cushion, Low Rebound | 48045 | \$38.17 | Model 300 |
| 15 | M66636 | Shock Absorber | 665174 | \$46.45 | |

Call us if you can't find or identify the part you need