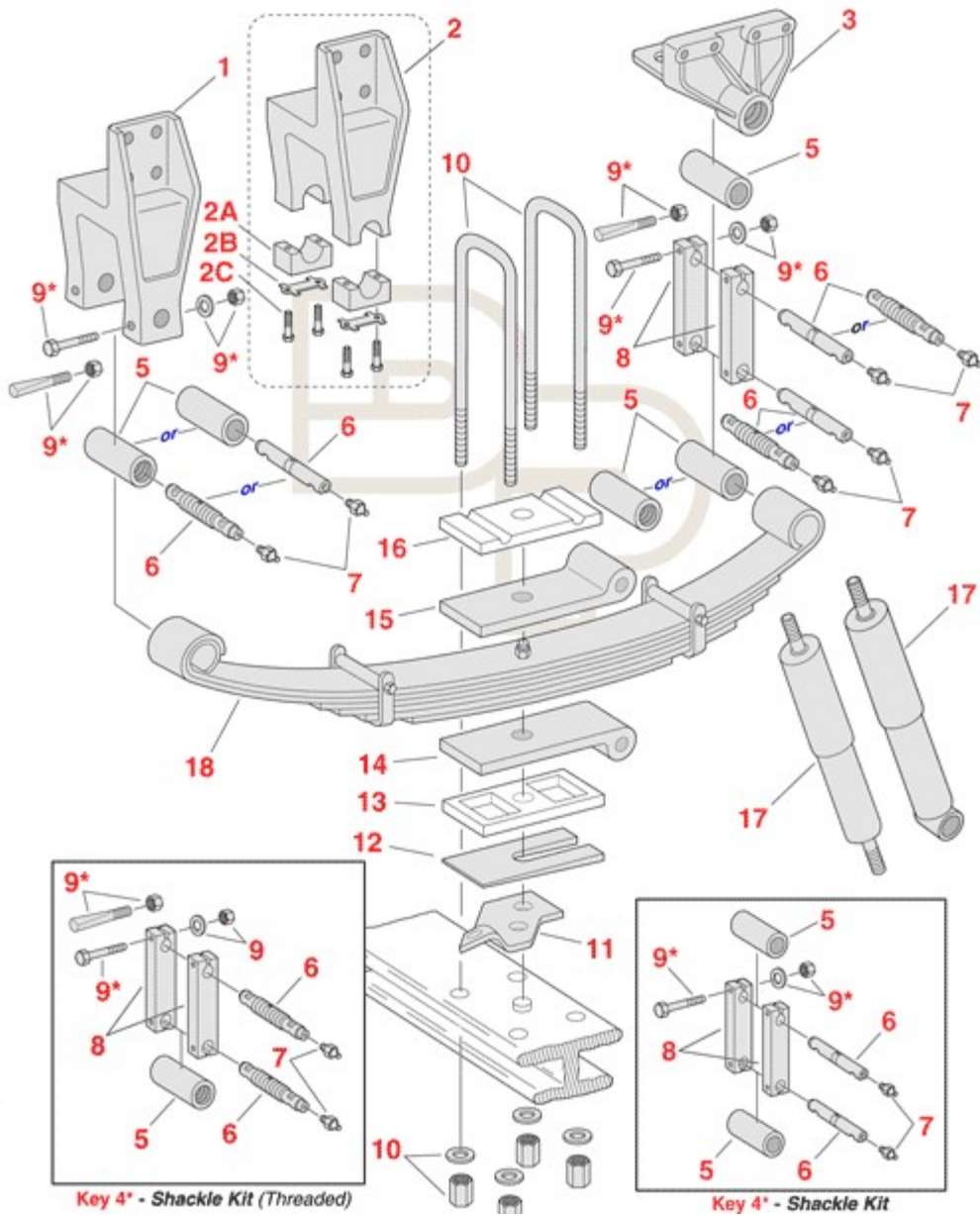




Navistar Front Suspension - 1000/2000/4000/7000/8000 (4" Spring)



Call us if you can't find or identify the part you need

Navistar Front Suspension - 1000/2000/4000/7000/8000 (4" Spring)

	Part #	Description	OEM #	Price	Note
18	55-1220	2 Leaf Parabolic Spring (3PD/2)	3518644C1 / 51704000 / 51580000		Threaded Bushings
		55-1220 - Premium US*		\$320.85	
		55-1220 - Economy Import**		\$276.17	
18	55-1202	2 Leaf Parabolic Spring (PD/2)	2041622C92		Threaded Bushings
		55-1202 - Premium US*		\$335.96	
		55-1202 - Economy Import**		\$261.86	
18	55-158	7 Leaf Spring (7/SE)	1667499C92 / 405347		Brass Bushings
		55-158 - Premium US*		\$445.28	
		55-158 - Economy Import**		\$345.00	
18	55-160	8 Leaf Spring (8/SE)	1667488C92		Brass Bushings
		55-160 - Premium US*		\$457.50	
		55-160 - Economy Import**		\$342.27	
18	55-944	11 Leaf Spring	533563C91 / 253574		Brass Bushings
		55-944 - Premium US*		\$498.95	
		55-944 - Economy Import**		\$400.50	
18	55-944HD	Leaf Spring		\$688.04	Brass Bushings
18	55-144	2 Leaf Parabolic Spring (PD/2/2PD)	1664618C91 / EE16002002 / 52650 / 37691		Threaded Bushings
		55-144 - Premium US*		\$312.69	
		55-144 - Economy Import**		\$250.31	
18	55-120	3 Leaf Parabolic Spring (SE/3)	1653751C91 / 400037690 / 37690 / 52649		Threaded Bushings
		55-120 - Premium US*		\$385.55	

Call us if you can't find or identify the part you need

		55-120 - Economy Import**		\$262.50	
18	55-1176	2 Leaf Parabolic Spring (PD/2/PD)	1690075C91 / 52654 / 37951		Threaded Bushings
		55-1176 - Premium US*		\$347.27	
		55-1176 - Economy Import**		\$228.86	
18	55-1216	2 Leaf Parabolic Spring	3527262C91 / 357262C91 / 3806666C91 / 53262 / 52396		Rubber Bushings
				\$335.32	
18	55-1218	2 Leaf Parabolic Spring (PD/2/PD)	3527263C91 / 3806667C91 / 51647		Rubber Bushings
		55-1218 - Premium US*		\$384.05	
		55-1218 - Economy Import**		\$323.75	
1	338-1221	Hanger w/ Frame Extension	1661860C1	\$77.33	Front of Front
1	338-1222	Hanger w/out Frame Extension	1661859C1	\$64.37	Front of Front
1	338-719	Hanger; Cast (Front of Front) w/out Frame Reinforcement	469990C1	\$62.55	Before 12/21/84; w/o Frame Extension; 9k-13.5k Axles; 1/2" Bolts
1	338-958	Hanger; Cast (Front of Front) w/ Frame Reinforcement	469991C1	\$55.81	Before 12/21/84; w/Frame Extension; 9k-13.5k Axles; 1/2" Bolts
1	338-978	Hanger; Cast (Front of Front) w/out Frame Extension	573145C1	\$55.90	After 12/21/84; w/o Frame Extension; 9k-13.5k Axles
1	338-962	Hanger; Cast (Front of Front) w/out Frame Reinforcement	469996C3	\$53.87	w/o Frame Extension; 16k-20k Axles
1	338-963	Hanger; Cast (Front of Front) w/ Frame Reinforcement	469997C3	\$57.59	w/Frame Extension; 16k-20k Axles
2	338-1839	Hanger; Cast (Front of Front)	1654353C1	\$98.40	Use w/327-482

Call us if you can't find or identify the part you need

2	338-1840	Cap, Hanger	507387C1	\$9.94	Cap for M1670 & M1698
2	334-1590	Tab, Lock (Front of Front)	503956C1	\$3.43	8000; (B)
2	334-1591	Cap Screw; 1/2"-13 x 2-1/4"Lg	24865R1	\$1.85	8000; (C)
3	338-1218	Hanger Assembly (Rear of Front) LH/RH	1664263C1, 1664262C1	\$56.18	1000/2000/4000/7000
3	338-1219	Hanger Assembly (Rear of Front) LH/RH	1664265C1, 1664264C1	\$54.91	1000/2000/4000/7000
3	338-1220	Hanger Assembly (Rear of Front) LH/RH	1664267C1, 1664266C1	\$54.64	1000/2000/4000/7000
3	M1736	Threaded Shackle Hanger. LH/RH, with L-Inverted Frame. Threaded 1-3/8"	1619608C1	\$144.61	2000; w/Code 2ADC.2005
3	338-2022	Hanger Assembly. LH/RH, Rear of Front	166427271C1, 1664270C1	\$56.16	w/Full "C" Reinforcement
3	338-2023	Hanger Assembly. LH/RH, Rear of Front	1664269C1, 1664266C1	\$70.84	w/Inverted "L" Reinforcement
3	338-1217	Hanger Assembly. LH/RH, Rear of Front. Threaded	1664434C1	\$54.76	8000
3	338-841	Threaded Shackle Hanger. LH/RH Rear of Front	1654348C1	\$55.73	Use 327-443 Pin & 330-188 Shackle Kit
3	338-720	Shackle Hanger, Rear of Front w/out Frame Reinforcement.	469993C1, 469992C1	\$52.31	w/o Frame Reinforcement; 9k-13.5k Axles
3	338-961	Shackle Hanger. Rear of Front, Full C Reinforcement	469995C1, 469994C1	\$60.87	w/Full "C" Reinforced Frame; 9k-13.5k Axles
3	338-969	Shackle Hanger. Rear of Front, L Reinforcement	477009C1, 477008C1	\$61.18	w/Inverted "L" Reinforced Frame; 9k-13.5k Axles
3	338-967	Shackle Hanger. LH/RH, Rear of Front, 4in Spring, Full C Reinforce	470001C1, 470000C1	\$53.80	w/Full "C" Reinforced Frame; 16k-20k Axles

Call us if you can't find or identify the part you need

3	338-965	Shackle Hanger. LH/RH, Rear of Front, 4in Spring, Inverted L Reinforce	469999C1, 469998C1	\$68.02	w/Inverted "L" Reinforced Frame; 16k-20k Axles
3	M1736	Threaded (1-3/8) Shackle Hanger. LH/RH, with L-Inverted Frame.	1619608C1	\$144.61	8000
4	330-165	Shackle Kit.		\$85.21	Incl. (2) 330-149, (2) 327-480, RNK-BM & Hdwe.
4	330-165U	Kit, Shackle; Urethane		\$178.28	
4	330-188	Shackle Kit.		\$112.99	Incl. (2) 327-482, (2) 330-157, (4) 334-446 & (1) TB-26
4	330-193	Shackle Kit; w/Threaded Pin, 3 1/4" Side Bar		\$103.88	Incl. (2) 330-160, (2) 327-443, (1) TB-26 & Hdwe.
4	330-130	Shackle Kit; Rear; 9K-13.5K Axles		\$85.21	Incl. (2) 330-101, (2) 327-230, (4) 334-446 & (2) NJK-BM
4	330-131	Kit, Shackle; 16K-20K Axles		\$87.33	Incl. (2) 330-114, (2) 327-236, (4) 334-446 & (2) RNK-BM
5	RNK-BM	Bushing; 1-1/4"ID x 1-1/2"OD x 4"Lg		\$7.44	
5	322-141	Bushing; w/Seals		\$15.34	Replaces PB-18
5	TB-26	Bushing; 1-3/4"OD x 4"Lg x 1-3/8"-6 Thread		\$12.89	
5	NJK	Bushing; 1"ID x 1-1/4"OD x 4"Lg		\$9.35	S-Series
6	327-443	Spring Pin, Threaded; 1-3/8"-6 x 7.35"Lg	507203C1	\$15.13	
6	327-480	Spring Pin; 1-1/4"OD x 6-3/4"Lg x 5" c/c	1661976C3, 3511254C1	\$10.74	
6	327-482	Spring Pin; Threaded, 1-3/8"-6 x 7-5/16"Lg	1654691C1	\$21.56	1000/2000/4000/7000; Square Notch
6	327-236	Spring Pin; 1-1/4"OD x 6-1/2"Lg x 5-1/8" c/c	1648108C1	\$11.12	16k-20k Axles

Call us if you can't find or identify the part you need

6	327-230	Spring Pin; 1"OD x 6-5/16"Lg x 4-15/16" c/c	1648110C1	\$9.25	9k-13.5k Axles
6	327-294	Spring Pin; 1-1/4"OD x 7-5/64"Lg x 1-9/32" c/e	468701C1	\$13.96	S-Series
6	327-229	Spring Pin; 1"OD x 7"Lg x 1-1/4" c/e	1648109C1	\$9.65	9k-13.5k Axles
8	330-149	Side Bar; 6"Lg x 3 1/2" c/c x 1"Thk, 1-1/4" Pin Holes	1664223C1	\$17.69	
8	330-157	Side Bar; 5-1/4"Lg x 3-1/4" c/c x 7/8"Thk, 1" Pin Holes	1654690C1	\$18.53	Used w/334-446 Lock Pins
8	330-160	Side Bar; 5-3/4"Lg x 3-1/4" c/c x 1-1/8" Thk, 1" Pin Holes	1654269C1, 3501151C1	\$26.22	8100, 8200 & 8300
8	330-101	Side Bar; 5-1/2"Lg x 3-1/2" c/c x 7/8"Thk, 1" Pin Holes	468699C1	\$16.54	S-Series
8	330-114	Side Bar; 5-3/4"Lg. x 3-1/2" c/c x 1"Thk, 1-1/4" Pin Holes	468700C1	\$20.27	16k-20k Axles
9	334-550	Bolt Assembly; 1/2"-20 x 3"Lg		\$4.44	Incl. 334-538 Bolt & Hdwe.
9	334-446	Pin, Lock		\$4.71	All Axles
10	361-216	Kit, U-Bolt; Special Bend, Grade 8		\$27.86	3/4" x 4" x 10" IR
10	361-644	Kit, U-Bolt; Special Bend, Grade 8		\$28.05	3/4" x 4" x 7"IR
10	361-167	Kit, U-Bolt; Special Bend, Grade 8		\$55.14	1" x 4" x 15 7/8" PR
11	334-2123	Bracket, Shock; Roadside	1669173C1	\$53.21	4" Spring
11	334-2124	Bracket, Shock; Curbside	1669174C1	\$53.21	4" Spring
14	334-2228	Cast Shock Eye	1667608C1	\$69.42	

* Premium version with 12 month warranty.

** Economy version with 6 month warranty.

Call us if you can't find or identify the part you need