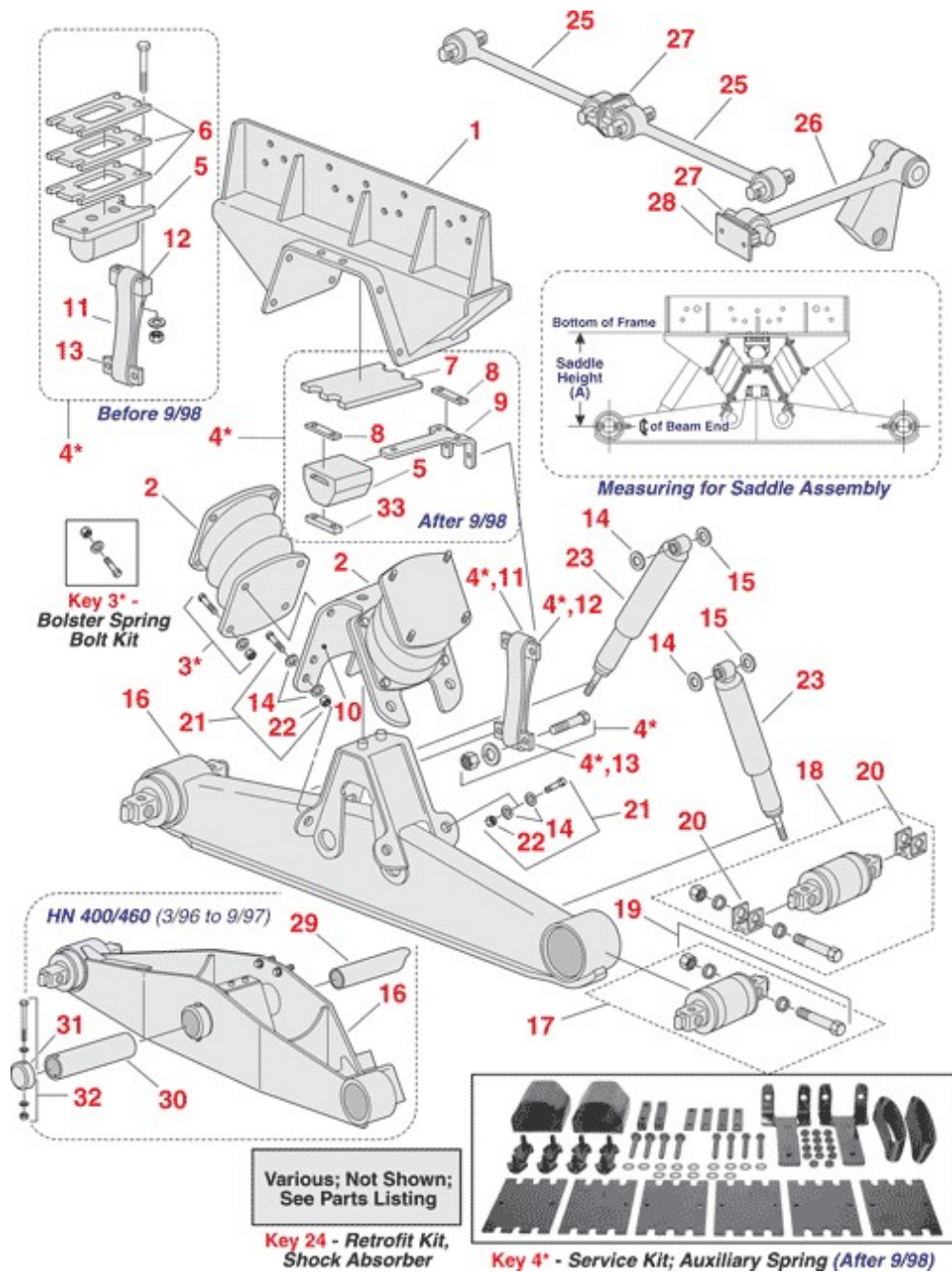




Hendrickson Rear Suspension - HN 400/460, HN402/462/522 Bolster Spring Suspensions (1996-present)



Call us if you can't find or identify the part you need

Hendrickson Rear Suspension - HN 400/460, HN402/462/522 Bolster Spring Suspensions (1996-present)

	Part #	Description	OEM #	Price	Note
1	338-2080	Assembly, Saddle	60686-66	\$1,172.93	HN462; 9.5"
1	338-2089	Assembly, Saddle		\$1,149.37	9.5" STR
1	338-2397	Assembly, Saddle		\$1,263.37	11.5" Mack
1	338-2400	Assembly, Saddle		\$1,313.90	9.5" Freightliner
2	334-852A	Spring, Bolster; Matched Pair	60879, 49377	\$306.67	(2) Pair Required Per Suspension
2	334-1896	Spring, Bolster; Matched Pair	64718	\$363.94	HN522; (2) Pair Per Suspension; Replace in Pairs
3	334-1299	Assembly, Bolt; 7/16"-20 x 1 1/4"Lg		\$6.10	Incl. Bolt & Hdwe.
4	334-1791	Kit, Service; Auxiliary Spring	57974-11	\$530.69	Retrofit/Replacement; >9/98
5		Assembly, Auxiliary Spring	58189		HN402/462/522; 04/96-08/98; Discontinued; Replace w/334-1791 Kit
	MHS210			\$331.82	
5		Assembly, Auxiliary Spring	58947		HN402/462/522; 09/98; 11/00 Production
	MHS58947			\$152.94	
5	334-1894	Assembly, Spring; Auxiliary	60314	\$107.90	HN402/462/522; >11/00 -Incl. in 334-1791; 3 3/8" Height
5		Assembly, Auxiliary Spring	65902-3	\$82.16	HN FR; 2 1/8" Height
	MHS58945				
6	334-1798	Spacer; 1/4"	57993-2	\$94.77	
6	334-1799	Spacer; 1/8"	57993-3	\$106.59	
7	334-1895	Shim, Mounting	58960-3	\$27.16	HN402/462/522; >11/00 - Incl in 334-1791
8		Hendrickson Shim Plate	58949	\$5.98	HN402/462/522; >09/98
	MHS8949				
9	338-2404	Bracket, Auxiliary Spring Mounting	58948-1,	\$22.12	HN402/462/522; >11/00 - Incl in 334-

Call us if you can't find or identify the part you need

1791

10	338-1956	Bracket, Saddle "V"	58343-1, 58343	\$85.87	
10	338-2006	Bracket, Saddle "V"	57461	\$103.92	HN400/460; 03/96 to 03/97
11	334-1634	Strap, Rebound	57878-3	\$23.16	
12	334-1800	Plate, Anchor	58524	\$21.12	HN402/462/522; 04/96; 08/98 Production
12	334-1801	Plate, Anchor	60639, 59779, 58376	\$19.99	HN402/462/522; >09/98; Incl in 334- 1791
16	338-2046	Assembly, Beam; 54"	58494-2	\$1,531.97	HN460>; 11/00; Incl. 334-831 Bushings
17	334-830	Kit, Service; Bar Pin Bushing; Non Shim	34013-87	\$112.97	Incl. Bar Pin Bushing & Mounting Hdwe.
18	334-831	Kit, Service; Bar Pin Bushing; Shim Type	34013-88	\$112.88	Incl. Bar Pin Bushing, Alignment Shims & Mounting Hdwe.
18	334-1957	Kit, Service; Rotating Bar Pin Bushing; Shim Type	34013-188	\$156.67	Incl. Bolts & Shims
19	334-832	Assembly, Bolt; 1"-8 x 6"Lg Grade 8	56659-1	\$16.21	Incl. Bolt, Lock Nut & Washers
20	334-879	Shim; 3/16"	50130	\$7.45	
20	334-880	Shim; 1/8"	50131	\$7.33	
20	334-881	Shim; 3/8"	57026	\$11.39	
21	334-2233	Assembly, Bolt; 3/4" x 2"Lg	58440-1	\$33.30	1 Side
23	341- 60680-3	Shock Absorber	60680-3	\$48.65	M66648;
23	M66886	Shock Absorber	60670-2	\$54.04	<03/96-09/97; HN/HNT
24	334-1725	Kit, Retrofit; Shock Absorber	64178-3	\$636.95	16.5" Saddle Hgt
24	334-1726	Kit, Retrofit; Shock Absorber	64178-4	\$518.69	17.5" & 18.5" Saddle Hgt
24	SP	Kit, Retrofit; Shock Absorber	64178-9	\$430.07	16.5" Saddle Hgt; Mack

Call us if you can't find or identify the part you need

25	345-866	Kit, Torque Rod; Straddlemount	60218	\$126.66	Use 345-610 & 345-661
25	TMRN109	Kit, Torque Rod; Straddlemount	60223	\$103.58	35" Max; Use 345-610 & 345-660
25	345-610	Torque Rod End; Female; Straddlemount	66610, 46610	\$65.37	5/8" Bolts, 4 3/8" Spacing
25	345-661	Torque Rod End; Male; Straddlemount; 22 1/2"Lg	66661, 46661	\$67.34	5/8" Bolts, 4 3/8" Spacing
26	TMRN101	Kit, Torque Rod; Transverse	60215	\$111.74	Use 345-610 & 345-681
26	345-610	Torque Rod End; Female; Straddlemount	66610, 46610	\$65.37	5/8" Bolts, 4 3/8" Spacing
26	345-681	Torque Rod End; Male; Taper Stud; 22 1/2"Lg	66681, 46681	\$95.02	1 1/4"-12, 2.90" Taper
27	338-181	Bracket, Track Rod/Frame	22186	\$15.40	For 5/8" Bolts
27	M917	Bracket, Track Rod/Frame	46015	\$50.23	HN FR; 5 1/4" Spacing
28	334-638	Plate, Reinforcement	45045-3	\$17.35	Torque Rod Plate; 5/8" Bolts; 4 3/8" Spacing
29	334-851	Cross Tube; 2 7/16"OD x 40 3/4"Lg	44643-11	\$140.14	HN400/460; 03/96-09/97 Production
30	334-849	Sleeve, Nylon	49972	\$128.54	HN400/460; 03/96-09/97 Production
31	334-1300	Cap, Cross Tube	56910	\$35.93	HN400/460; 03/96-09/97 Production
33	334-1800	Plate, Anchor	58524	\$19.92	HN402/462/522; 09/98; 11/00 Production

Call us if you can't find or identify the part you need