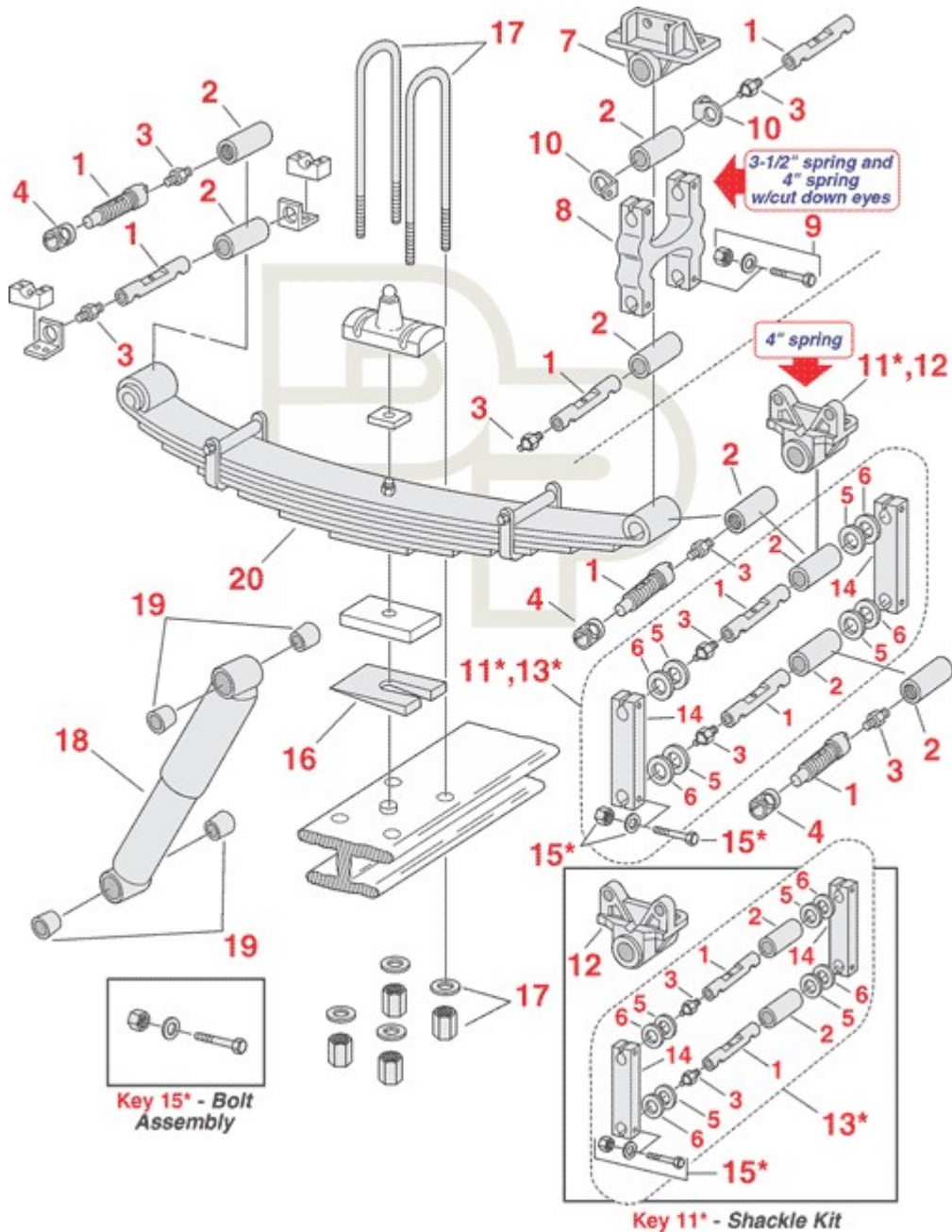




Freightliner Front Suspension - 120 Series Conventional/COE, FLD112 Conventional



Call us if you can't find or identify the part you need

Freightliner Front Suspension - 120 Series Conventional/COE, FLD112  
 Conventional

	<b>Part #</b>	<b>Description</b>	<b>OEM #</b>	<b>Price</b>	<b>Note</b>
20	46-1280	2 Leaf Parabolic Spring (2PD/2/PD) 46-1280 - Premium US* 46-1280 - Economy Import**	A16-13412- 001	\$258.24   \$193.50	Bronze Bushing
20	46-176	9 Leaf Spring	A16-12616- 000	\$665.27	Bronze Bushing
20	46-1238	10 Leaf Spring 46-1238 - Premium US* 46-1238 - Economy Import**	A16-13520- 000	\$526.74  \$394.50	Bronze Bushing
20	46-122	4 Leaf Parabolic Spring (2PD/3) 46-122 - Premium US* 46-122 - Economy Import**	A16-11812- 000	\$365.25  \$259.23	Bronze Bushing
20	46-220	3 Leaf Parabolic Spring (PD/3) 46-220 - Premium US* 46-220 - Economy Import**	A16-12612- 000	\$296.72  \$256.25	Bronze Bushing
20	46-1278	3 Leaf Parabolic Spring (PD/3) 46-1278 - Premium US* 46-1278 - Economy Import**	A16-12614- 000	\$334.74  \$263.34	Bronze Bushing
20	46-1294	4 Leaf Parabolic Spring (PD/4) 46-1294 - Premium US* 46-1294 - Economy Import**	A16-14012- 000	\$625.47  \$530.40	Bronze Bushing
20	46-1282	2 Leaf Parabolic Spring (2PD/2/PD) 46-1282 - Premium US* 46-1282 - Economy Import**	A16-13412- 002	\$304.68  \$213.93	Threaded Bushings

Call us if you can't find or identify the part you need

20	46-1406	2 Leaf Parabolic Spring (2PD/2/PD) 46-1406 - Premium US* 46-1406 - Economy Import**	A16-14695- 000		Rubber Bushings
				\$313.43	
				\$237.00	
1	327-490	Spring Pin, Threaded; 1- 1/4"-7 x 7.14"Lg x 5-3/8" c/c	16-12302-000		For TB-73 Bushing
				\$18.87	
1	327-175	Spring Pin; 1-1/4"OD x 6- 3/8"Lg x 4-29/32" c/c	16-10509-000		Use w/ 3 1/2" Spring Eye & RNI or TNI Bushing
				\$21.56	
1	327-487	Spring Pin; 1-1/4"OD x 6- 7/8"Lg x 5-3/8" c/c	16-13470-000, 16-12373-000		Used w/4" Spring & RNK or TNK Bushing
				\$10.56	
1	327-176	Spring Pin; 1-1/4"OD x 5- 3/4"Lg x 4-1/2" c/c	16-10510-000		Use w/RNI or TNI Bushing & H Shackle; 3 1/2" Spring Eye
				\$14.90	
1	327-489	Spring Pin; 1-1/4"OD x 7- 7/8"Lg x 5-3/8" c/c	6813220222		Double Lock; w/3/8" Drill Hole in End
				\$16.01	
2	TB-73	Bushing; 1-1/2"OD x 4"Lg x 1-1/4" Thread	16-12301-000		Current
				\$13.87	
2	RNI-BM	Bushing; 1-1/4"ID x 1- 1/2"OD x 3-1/2"Lg	16-01005-000		Past Production
				\$9.98	
2	RNK-BM	Bushing; 1-1/4"ID x 1- 1/2"OD x 4"Lg	16-12399-001		Current
				\$7.44	
2	TNI	Bushing; 1-1/4"ID x 1- 5/8"OD x 3-1/2"Lg.	16-01005-001		Spring Eyes Only; <1984
				\$16.95	
2	322-141	Bushing; w/Seals	A16-12399- 001		Replaces PB-18
				\$15.34	
2	TNK	Bushing; 1-1/4"ID x 1- 5/8"OD x 4"Lg	A16-01005- 002		Powerliner
				\$15.20	
2	RB-233	Bushing; 3/4"ID x 2- 1/4"OD x 4-1/4" Lg	16-15951-000 / 16-17769- 000 / 680-322- 0150 / 680- 322-03-01		Use MR668
				\$23.27	
3	334-475	Fitting, Straight Zerk; 1/8"-27 NPT	1613B		
				\$0.84	
4	334-1583	Sleeve; 1-1/4"OD x 1"ID x	16-09598-000		
				\$9.68	

Call us if you can't find or identify the part you need

		1"Lg		
5	334-1584	Shim; 1-7/8"OD x 1/32"Thk x 1-1/4" Hole	23-09860-012	\$0.50
6	334-1585	Shim; 2-1/4"OD x 5/32"Thk x 1-1/4" Hole	23-11656-018	\$1.44
7	338-738	Hanger, Shackle	16-09906-000	\$49.44 Use w/H Shackle
8	330-142	"H" Shackle	16-10241-000	\$86.80 Use w/ 3 1/2" Spring & 4" Spring w/Cut down Eye
9	334-551	Assembly, Bolt; 3/8"-24 x 2-3/4"Lg		\$6.83 Incl. 334-537 Bolt & Hdwe.
10	334-804	Shim; 1-3/8"ID x .046"Thk	16-09040-001	\$2.48 Shim for 3 1/2" Wide Springs
11	339-272	Kit, Service; Shackle Assembly & Hanger	16-13798-000	\$156.31 Incl. 338-1838
11	339-272A	Kit, Service; Shackle Assembly & Hanger	A16-13798- 000	\$148.78 Incl. 338-758A
12	338-758A	Hanger, Shackle	16-12355-001, 16-12297	\$81.29 Aluminum
12	338-1838	Hanger, Shackle	A16-12297- 000 / A16- 12355-000 / A16-12358- 000	\$62.33 Iron Version of 338-758A
12	338-1878	Hanger, Shackle	16-12358-001	\$78.43 TB-73 Threaded Bushing
12	338-2225	Hanger, Shackle	16-14735-000,	\$82.17 RB-233
13	330-219	Shackle Kit; Urethane		\$84.21 Incl. (2) 330-123, (2)327-487, (1) TNK, (1) RNK-BM & Hdwe.
13	330-345	Shackle Kit		\$101.10 Incl. 330-344, 327- 487, TNK, RNK-BM & Hdwe.
13	330-374	Shackle Kit		\$115.20 Incl. 330-123, 327- 490 Bushings & Hdwe.
13	330-346	Shackle Kit		\$94.29 RB-233
14	330-123	Side Bar; 5-5/16" c/c x 1"Thk, 1-1/4" Pin Holes	16-11890-000	\$19.39 Used w/4" Wide Springs

Call us if you can't find or identify the part you need

14	330-344	Side Bar; 6-3/4" Lg X 4-5/16" c/c x 1" Thk, 1-1/4" Pin Holes	16-13333-000	\$27.34	
14	330-217	Side Bar; 4-1/8" c/c, 3/8" Thk	680-320-00-20	\$10.80	
15	334-550	Bolt Assembly; 1/2"-20 x 3"Lg		\$4.44	Incl. 334-538 Bolt & Hdwe.
17	361-186	Kit, U-Bolt; Round Bend, Grade 8	10-09075-105	\$23.97	3/4" x 3 9/16" x 10 1/2" R
17	361-188	Kit, U-Bolt; Round Bend, Grade 8	10-09075-125	\$27.28	3/4" x 3 9/16" x 12 1/2" R
17	361-190	Kit, U-Bolt; Round Bend, Grade 8	11-09363-110	\$27.14	3/4" x 4" x 11 3/8" R
17	361-192	Kit, U-Bolt; Round Bend, Grade 8	10-09424-120	\$35.18	7/8" x 3 9/16" x 12 3/8" R
17	361-194	Kit, U-Bolt; Round Bend, Grade 8	11-9624-120	\$37.62	7/8" x 4" x 12 1/4" R
18	M65103	Shock Absorber	10-12030-000	\$73.50	
18	M66658	Shock Absorber	681-323-09-00	\$58.39	
18	M65139	Shock Absorber	10-13021-000	\$73.32	
19	401754	Shock Bushing; 1"ID	1610722000	\$3.05	

\* Premium version with 12 month warranty.

\*\* Economy version with 6 month warranty.

Call us if you can't find or identify the part you need