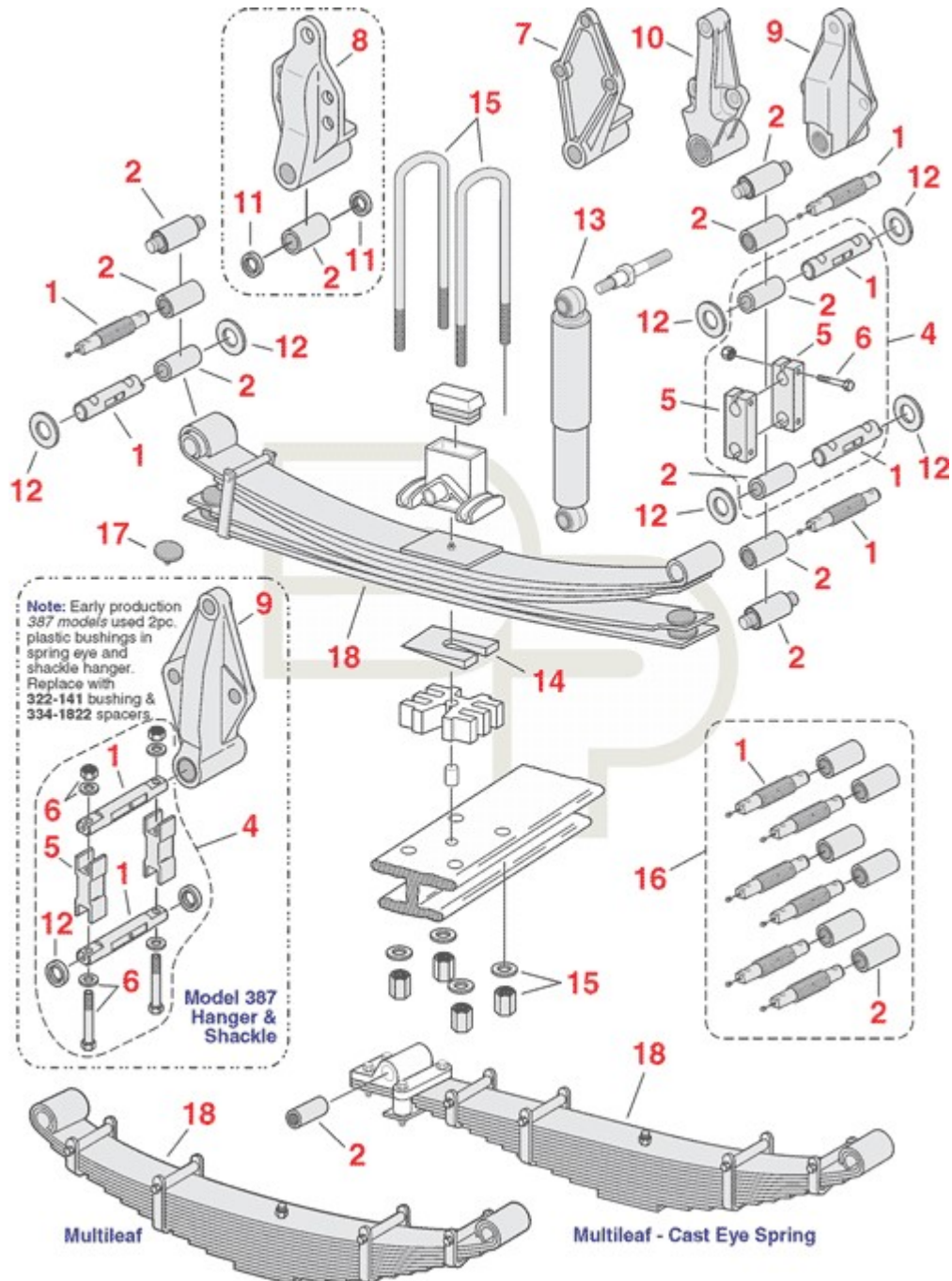


# LONG LIFE

# *fleet*

## Peterbilt Front Suspension - 4" Springs COE & Conventional



Call us if you can't find or identify the part you need

## Peterbilt Front Suspension - 4" Springs COE & Conventional

	<b>Part #</b>	<b>Description</b>	<b>OEM #</b>	<b>Price</b>	<b>Note</b>
18	75-220	2 Leaf Parabolic Spring PD/2 75-220 - Premium US* 75-220 - Economy Import**	02-02099 / 71613021	\$364.16 \$232.50	Bronze Bushing
18	75-232	5 Leaf Parabolic Spring PD/3/1/1 75-232 - Premium US* 75-232 - Economy Import**	HP48110-2860	\$1,123.05 \$836.18	Bi-Metal Bushing w/ Nylon Seal
18	75-136	3 Leaf Parabolic Spring 2PD/3 75-136 - Premium US* 75-136 - Economy Import**	02-01147 / 75-270	\$376.98 \$297.42	Bronze Bushing
18	75-212	2 Leaf Parabolic Spring 3PD/2 75-212 - Premium US* 75-212 - Economy Import**	02-02177 / B81-6003 / 75-202	\$250.02 \$195.00	Bronze Bushing
18	75-218	4 Leaf Parabolic Spring PD/3/1 75-218 - Premium US* 75-218 - Economy Import**	02-02906	\$532.91 \$489.00	Bronze Bushing
18	75-174	6 Leaf Spring PD/5/1	02-01791	\$562.41	Bronze Bushing
18	75-170	6 Leaf Spring PD/5/1 75-170 - Premium US* 75-170 - Economy Import**	02-01728	\$496.89 \$389.46	Bronze Bushing
18	75-208	2 Leaf Parabolic Spring 4PD/2 75-208 - Premium US* 75-208 - Economy Import**	02-02148	\$452.18 \$330.69	Bronze Bushing
1	327-483	Spring Pin; 1-1/4" x 6- 7/8" (5-5/16" c/c)	02-01781 / 02-01767	\$11.09	Model 359

Call us if you can't find or identify the part you need

1	327-446	Spring Pin; 1-1/4" x 6" (5-1/16" c/c)	02-01561		Use w/4" Spring
				\$17.27	
1	327-532	Spring Pin; 1-1/4" x 7-5/8"	02-04024 / B65-6002		Model 387
				\$23.05	
1	327-541	Spring Pin; 1-1/4" x 7-7/16" (5-3/4" c/c)	02-01911		
				\$27.35	
1	327-537	Spring Pin, Threaded Metric	B65-1002		5.75 c/c
				\$16.76	
1	327-540	Spring Pin, Threaded Metric	B65-1008		T600/800; 2004 & Newer
				\$16.20	
1	327-544	Spring Pin, Threaded Metric	B65-6008		5.43 c/c
				\$18.81	
2	322-141	Bushing; w/Seals	A16-12399-001 / 02-01805		Replaces PB-18
				\$16.02	
2	RNI-BM	Bushing; 1-1/4"ID x 1-1/2"OD x 3-1/2"Lg			
				\$10.40	
2	RNK-BM	Bushing; 1-1/4"ID x 1-1/2"OD x 4"Lg			
				\$7.76	
2	TB-77	Bushing, Threaded; Metric	B13-1000		For T2000; 1996-97
				\$21.17	
2	RB-295	Bushing; 1-3/4"OD x 7-1/2"Lg (6.3" c/c)	B65-1006		T Series; 2004 & Newer; w/59" Springs
				\$33.75	
2	RB-328	Bushing; 1-3/4"OD x 6-11/16"Lg (5-7/16" c/c)	B65-6005		
				\$33.75	
2	RB-338	Bushing; 5/8"ID x 1-3/4"OD x 4-1/4"Lg	B65-6010		Medium Duty Models; 2009+
				\$23.04	
2	RB-308	Bushing; 2-1/16"OD x 7-1/2"Lg (6.3 c/c)	B65-1007		T Series
				\$41.41	
2	RB-324	Bushing; 2-1/16"OD x 6-11/16"Lg (5-7/16" c/c)	B65-1013 / B65-6006		
				\$41.21	
2	TB-81	Bushing, Threaded; Metric	B13-1002		T600/800; 2004 & Newer
				\$25.55	
4	330-191	Kit, Shackle; 3-9/16" c/c			Incl. (2) 330-186, (2) 327-483, (2) RNK-BM & Hdwe.; 4" Wide Springs
				\$97.47	
4	330-192	Kit, Shackle; 5-1/8" c/c			Incl. (2) 330-187, (2) 327-483, (2) RNK-BM & Hdwe.;
				\$116.09	

Call us if you can't find or identify the part you need

## 4" Wide Springs

4	330-117	Kit, Shackle		\$109.37	Incl. (2) 330-116, (2) 327-446, (1) RNK-BM, (1) RNI-BM & Hdwe.; Use w/4" Wide Springs
4	330-342	Kit, Shackle		\$146.82	Model 387; Incl 322-141 Bushings
5	330-186	Side Bar; 6"Lg (3-9/16" c/c) 1-1/8"Thk, 1-1/4" Holes	02-01784 / 02-01783	\$22.44	Part of Kit 330-191
5	330-187	Side Bar; 7-9/16"Lg (5-1/8" c/c) 1-1/8"Thk, 1-1/4" Holes	02-01747 / 02-01807	\$29.44	Part of Kit 330-192; 4" Spring; 1987 & Up
5	330-116	Side Bar; 5-7/8"Lg (3-1/2" c/c) 1" Thk, 1-1/4" Holes	02-01154	\$20.34	Cabover; Use w/4" Spring & 327-446
5	330-341	Side Bar	02-04018	\$40.28	Model 387
6	334-1554	Bolt Assembly; 1/2-20 x 6-1/2"Lg		\$10.44	Model 387
7	338-1230	Hanger, Shackle; 4" Wide Spring	02-01801M003	\$55.66	1987-94; Conventional; Replaces 338-784/785 After 1989
7	338-1230A	Hanger, Shackle; 4" Wide Spring		\$55.66	5/8" Bolts
8	338-785	Hanger, Shackle; LH	01-45641L	\$76.97	Prior to 1986; 4" Springs; 327-446 Pin
8	338-784	Hanger, Shackle; RH	01-45641R	\$76.97	Prior to 1986; 4" Springs; 327-446 Pin
9	338-1898	Hanger, Shackle	B11-1034-2 / 02-04001M002	\$75.31	Incl. 322-141 Bushing
9	338-2032	Hanger, Shackle	B11-1034-1	\$86.04	Incl. RB-295 Bushing, PACCAR Chassis
9	338-2100	Hanger, Shackle	B11-1031-5 / B11-1034-5	\$68.38	Incl. TB-77 Bushing, PACCAR

Call us if you can't find or identify the part you need

				Chassis
9	338-2101	Hanger, Shackle	B11-1034-6 / B11-1034-8	Incl. RB-328 Bushing, PACCAR Chassis \$85.22
9	338-2102	Hanger, Shackle	B11-1034-7	Incl. RB-338 Bushing \$82.64
9	338-2220	Hanger, Shackle	02-02311M001	\$70.36
10	338-2172- 01	Hanger; Threaded Bushing	B11-1039	TB-81 Threaded Bushing \$82.82
11	334-540	Seal; 1-3/16"ID x 1- 3/4"OD x 1/4"Thk	28-00118	Use w/RNI Bushed Hangers \$10.89
13	M65113	Shock Absorber	02-01890	\$70.25
13	M65405	Shock Absorber	ACHF113	\$69.55
13	M65101	Shock Absorber	02-01787	\$64.04
13	M65411	Shock Absorber	02-02142	\$74.93
13	M65434	Shock Absorber	02-02738	\$72.11
15	361-474	Kit, U-Bolt; Special Bend, Grade 8	02-00807-122	3/4" x 4" x 12" PR; Grade 8 \$27.96
16	339-308	Kit, Service; RB to TB Conversion		Replaces (6) RB- 295 w/Threaded Pins & Bushings \$181.94
16	339-309	Kit, Service; RB to TB Conversion		Replaces (2) RB- 295 & (4) RB-328 w/Threaded Pins & Bushings \$212.44
16	339-310	Kit, Service; RB to TB Conversion		Replaces (2) RB- 308 & (4) RB-324 w/Threaded Pins & Bushings \$213.27
16	339-311	Kit, Service; RB to TB Conversion		Replaces (6) RB- 295 w/Threaded Pins & Bushings \$230.61
16	339-312	Kit, Service; RB to TB Conversion		Replaces (6) RB- 295 \$203.78
17	PAD-101	Tip Insert; Urethane		\$36.72

\* Premium version with 12 month warranty.

\*\* Economy version with 6 month warranty.

Call us if you can't find or identify the part you need