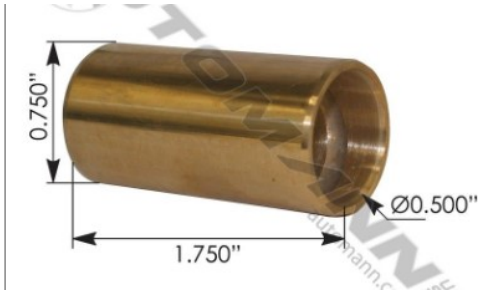


Bushing Identification

I. Spring, Shackle & Hanger Bushings

A. Smooth Bronze or Bi-Metal (Steel Outer / Copper Inner)



	<u>Example</u>	<u>Yours</u>
I.D.	0.5"	_____
O.D.	0.75"	_____
Length	1.75"	_____

B. Threaded Steel Bushing



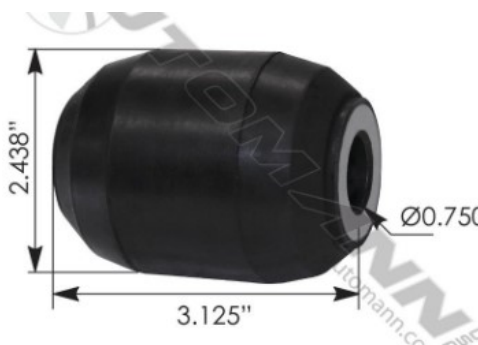
	<u>Example</u>	<u>Yours</u>
Threads	1-1/4" - 8	_____
O.D.	1.5"	_____
Length	3.5"	_____

C. RB Bushing (Steel & Rubber or Urethane)



	<u>Example</u>	<u>Yours</u>
I.D.	0.563"	_____
O.D.	1.5"	_____
Length	2.75"	_____
Sleeve	2.5"	_____

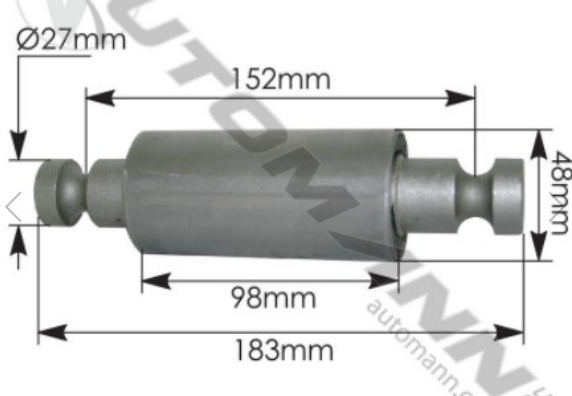
D. RB Bushing – Unsleeved (Steel & Rubber or Urethane)



	<u>Example</u>	<u>Yours</u>
I.D.	0.75"	_____
O.D.	2.438"	_____
Length	3.125"	_____

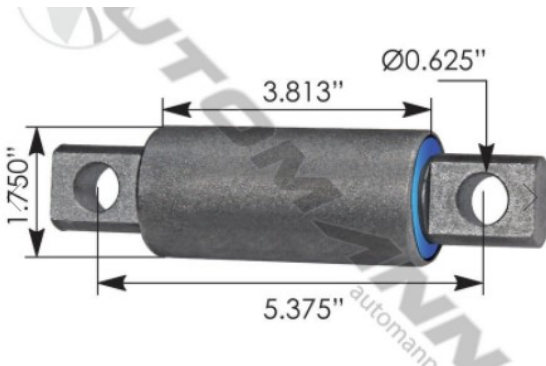
Bushing Identification

E. RB Bushing – w/ Integrated Pin (Steel & Rubber or Urethane)



	Example	Yours
Pin Diam.	27mm	_____
O.D.	48mm	_____
Outer Sleeve	98mm	_____
C-C	152mm	_____
Length	183mm	_____

F. RB Bushing – Straddle Mount (Steel & Rubber or Urethane)



	Example	Yours
O.D.	1.75"	_____
Bolt Holes	0.625"	_____
Outer Sleeve	3.813"	_____
C-C	5.375"	_____
Length	??	_____

G. Harris Bushing (Rubber or Urethane 2-Piece Bushing)



	Example	Yours
I.D.	0.5"	_____
O.D.	1.0"	_____
Inside Length	1.25"	_____
Total Length	1.75"	_____