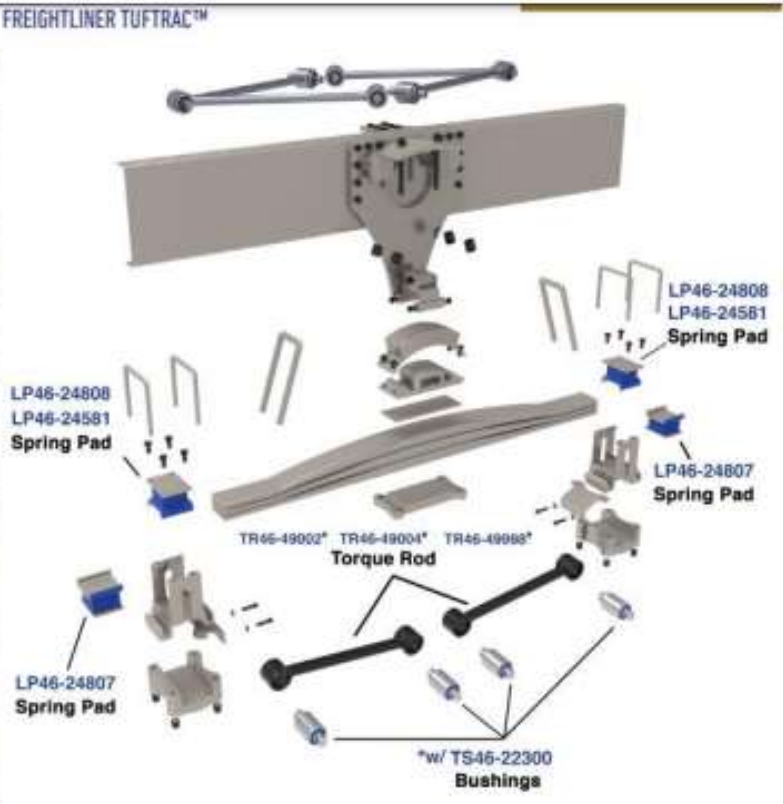


TufTrac





Automann / Interchange Part # or Keyword



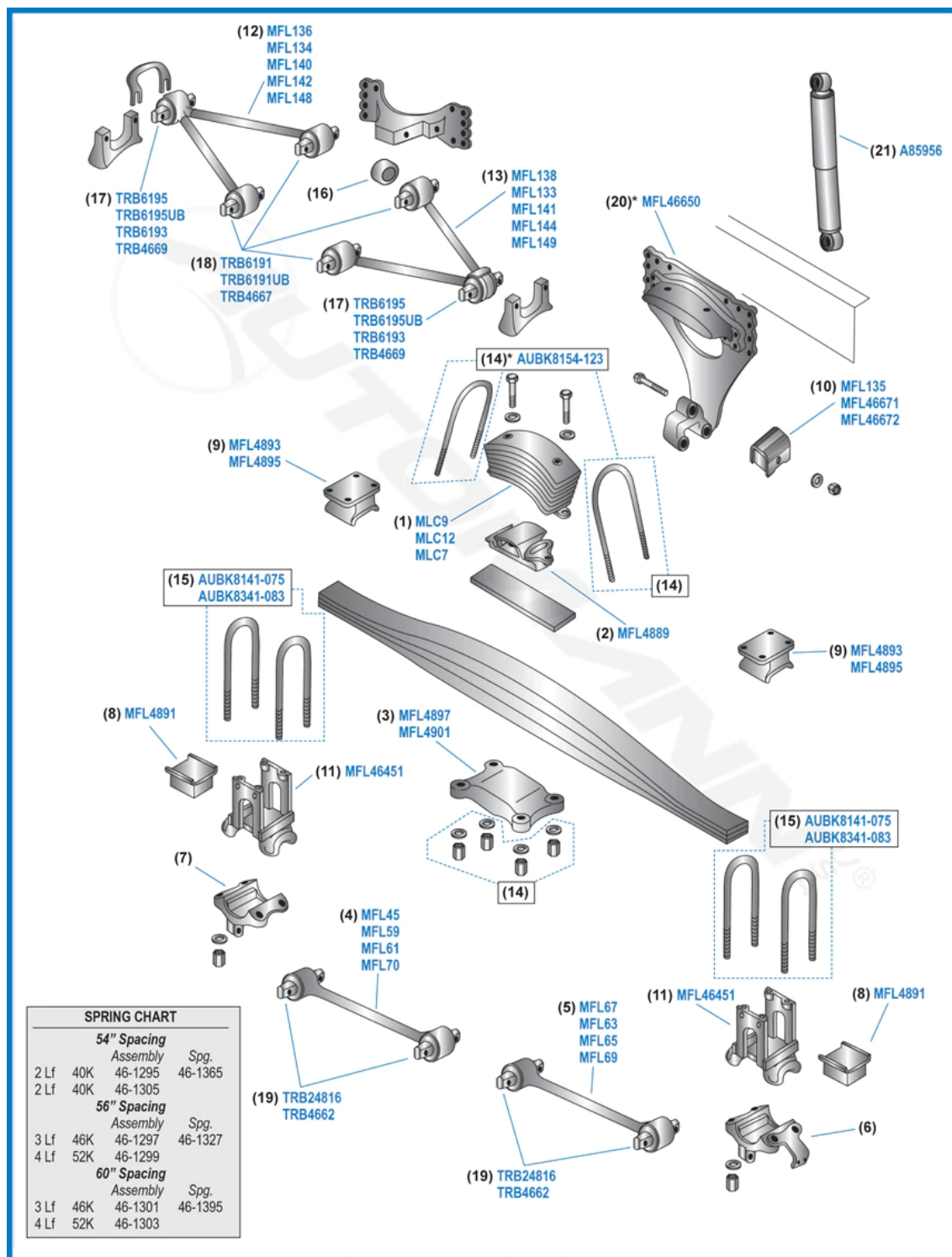
Call: 1-888-288-6626 Text: 856-263-4600

Home Category Brand Make/Model New Arrivals Wizards Schematics Quick Links Help

Home > Store > Schematics > Suspension > Freightliner > Freightliner Rear TufTrac 40K, 46K and 52K (Freightliner & Sterling) (Revised)

Suspension Schematic: Freightliner Rear TufTrac 40K, 46K and 52K (Freightliner & Sterling) (Revised)

Schematic Parts List





Automann / Interchange Part # or Keyword

Call: 1-888-288-6626 Text: 856-263-4600

Home	Category	Brand	Make/Model	New Arrivals	Wizards	Schematics	Quick Links	Help
Key	Part No.	OEM Ref.	Req.	Description	Notes			
1	MLC9	1615010000	2	Bolster Spring	46K, Uses Two 1/2"-13 x 1.0" Lg. Bolts			
1	MLC12	1616002000	2	Bolster Spring	40K 2 Stage			
1	MLC7	1614638000	2	Bolster Spring	LoPro			
2	MFL4889	1615011000	2	Top Plate	All, Uses Two 9/16"-12 x 1-1/4" Lg. Bolts			
3	MFL4897	1615103000	2	Ubolt Plate Spring Center	Most			
3	MFL4901	1615102000	2	Ubolt Plate Spring Center	1614510000, 46K & 52K			
4	MFL45	1614998000	2	T/Rod	F of R, FDA 46-52K 56" Axle, 620mm CtoC (24-7/16"), w/Snap Ring			
4	MFL59	1617266000	2	T/Rod	F of R, FDA 590mm 40K, 23-1/4", 1-1/8" Dia., Alumin Pin, 2-3/4"			
4	MFL61	1615002000	2	T/Rod	F of R, FDA 40K 54" Axle, 590mm CtoC (23-1/4"), Uses TRB4662's			
4	MFL70	1615004000	2	T/Rod	F of R, FDA 46-52K 60" Axle, 670mm CtoC (26-3/8"), w/Snap Ring			
5	MFL67	1614998001	2	T/Rod	R of R, RDA 46-52K 56" Axle, 620mm CtoC (24-7/16"), w/Snap Ring			
5	MFL63	1617266001	2	T/Rod	R of R, RDA 590mm 40K, 23-1/4", 1-1/8" Dia., Alumin Pin, 2-3/4"			
5	MFL65	1615002001	2	T/Rod	R of R, RDA 40K 54" Axle, 590mm CtoC (23-1/4"), Uses TRB4662's			
5	MFL69	1615004001	2	T/Rod	R of R, RDA 46-52K 60" Axle, 670mm CtoC (26-3/8"), w/Snap Ring			
6	Ref.	1123457000	2	Ubolt End Plate				
7	Ref.	1123456000	2	Ubolt End Plate				
8	MFL4891	1120807000	4	Lower Pad	All			
9	MFL4893	1120808000	4	Upper Pad	40K			
9	MFL4895	1119581000	4	Upper Pad	46K, Uses Four 3/8"-16 x 1-1/4" Lg. Bolts			
10	MFL135	1614501001	2	Rebound Stop	46K, 73mm, A1614501001, 52K, Fabricated, Verify			
10	MFL46671	1615067001	2	Rebound Stop	40/46K, 83mm, A1614513001, Cast, Verify			
10	MFL46672	1615067002	2	Rebound Stop	40/46K, 106mm, A1614513002, Cast, Verify			
11	MFL46451	1125745001 / 1125745000	4	Top Spring Seat	TufTrc Series Suspensions with 117mm Axle Opening All Positions			
12	MFL136	1615001000	1	V/Rod	F of R, FDA 54" 40K, Includes 1-TRB6195 & 2-TRB6191			
12	MFL134	1615069000	1	V/Rod	F of R, FDA 56" 46/52K, Includes 1-TRB6193 & 2-TRB6191			
12	MFL140	1615003000	1	V/Rod	F of R, FDA 60" 46/52K, Includes 1-TRB6193 & 2-TRB6191			
12	MFL142	1617265000	1	V/Rod	F of R, FDA 54" 40K, Includes 1-TRB4669 & 2-TRB4671			
12	MFL149	1617265001	1	V/Rod	R of R, FDA 56", Includes 1-TRB4669 & 2-TRB4671			
13	MFL138	1615001001	1	V/Rod	R of R, RDA 54" 40K, Includes 1-TRB6195 & 2-TRB6191			
13	MFL133	1615069001	1	V/Rod	R of R, RDA 56" 46/52K, Includes 1-TRB6193 & 2-TRB6191			
13	MFL141	1615003001	1	V/Rod	R of R, RDA 60" 46/52K, Includes 1-TRB6193 & 2-TRB6191			
13	MFL144	1617265001	1	V/Rod	R of R, RDA 54" 40K, Includes 1-TRB4669 & 2-TRB4671			
13	MFL148	1619167000	1	V/Rod	F of R, FDA 56", Includes 1-TRB4669 & 2-TRB4671			
14	Ref.	1614511002	2	Ubolt Kit	40K			
14	AUBK8154-123	1614511000	2	Ubolt Kit	46K, 3/4" x 4.0 Rd. x 12-3/8" Lg. Gr8, OEM is 11-3/4", Verify			
15	AUBK8141-075	1119895000	4	Ubolt Kit	End of Spring, 5/8" Dia.			
15	AUBK8341-083	1123463000	4	Ubolt Kit	End of Spring, 5/8" Dia.			
16	Ref.	2311710150	4	T/Rod Spacer	0.688" x 1.312" x 1.5" Thk.			
16	Ref.	2311710038	4	T/Rod Spacer	0.688" x 1.312" x .38" Thk.			
17	TRB6195	70480054000	2	V/Rod Apex Bushing	40K, 2@23mm Holes at 175mm CtoC			
17	TRB6195UB		2	V/Rod Apex Bushing	Poly			



Automann / Interchange Part # or Keyword

Call: 1-888-288-6626 Text: 856-263-4600

Home	Category	Brand	Make/Model	New Arrivals	Wizards	Schematics	Quick Links	Help
18	TRB6191	62480041000	4	V/Rod End Bushing	2@17mm Oval Holes at 111mm CtoC			
18	TRB6191UB		4	V/Rod End Bushing	Poly			
18	TRB4667		4	V/Rod End Bushing	2@17mm Oval Holes at 111mm CtoC, w/o snap ring			
19	TRB24816	62480016000	8	T/Rod Bushing	46/52K, 2@17mm Holes at 111mm CtoC			
19	TRB4662	55480026000	8	T/Rod Bushing	40K, Used in MFL61 & MFL65, 2@0.675" at 4-3/8" CtoC			
20	MFL46650	1615065000	2	Center Mounting Bracket	TufTrc 46-52K			
20	Ref.	1615066000	2	Center Mounting Bracket				
21	A85956	1615770000	2	Shock	Verify w/Shock Catalog			
SC	46-1295		0	Spring Chart	Assembly, 54" Spacing, 2 Lf, 40K			
SC	46-1305		0	Spring Chart	Assembly, 54" Spacing, 2 Lf, 40K			
SC	46-1365		0	Spring Chart	Spring, 54" Spacing, 2 Lf, 40K			
SC	46-1297		0	Spring Chart	Assembly, 56" Spacing, 3 Lf, 46K			
SC	46-1299		0	Spring Chart	Assembly, 56" Spacing, 4 Lf, 52K			
SC	46-1327		0	Spring Chart	Spring, 56" Spacing, 3 Lf, 46K			
SC	46-1301		0	Spring Chart	Assembly, 60" Spacing, 3 Lf, 46K			
SC	46-1303		0	Spring Chart	Assembly, 60" Spacing, 4 Lf, 52K			
SC	46-1395		0	Spring Chart	Spring, 60" Spacing, 3 Lf, 46K			

© 2023 Automann USA, Inc. All rights reserved. All content is property of Automann, and may not be reproduced or redistributed in any form.



888-AUTOMANN (+1-888-288-6626)

Any reference to OEM names or OEM product identification numbers/descriptions/model numbers is for identification only and does not indicate that it is an OEM part. When ordering, customers have the option to order using industry references, OEM references or Automann references.