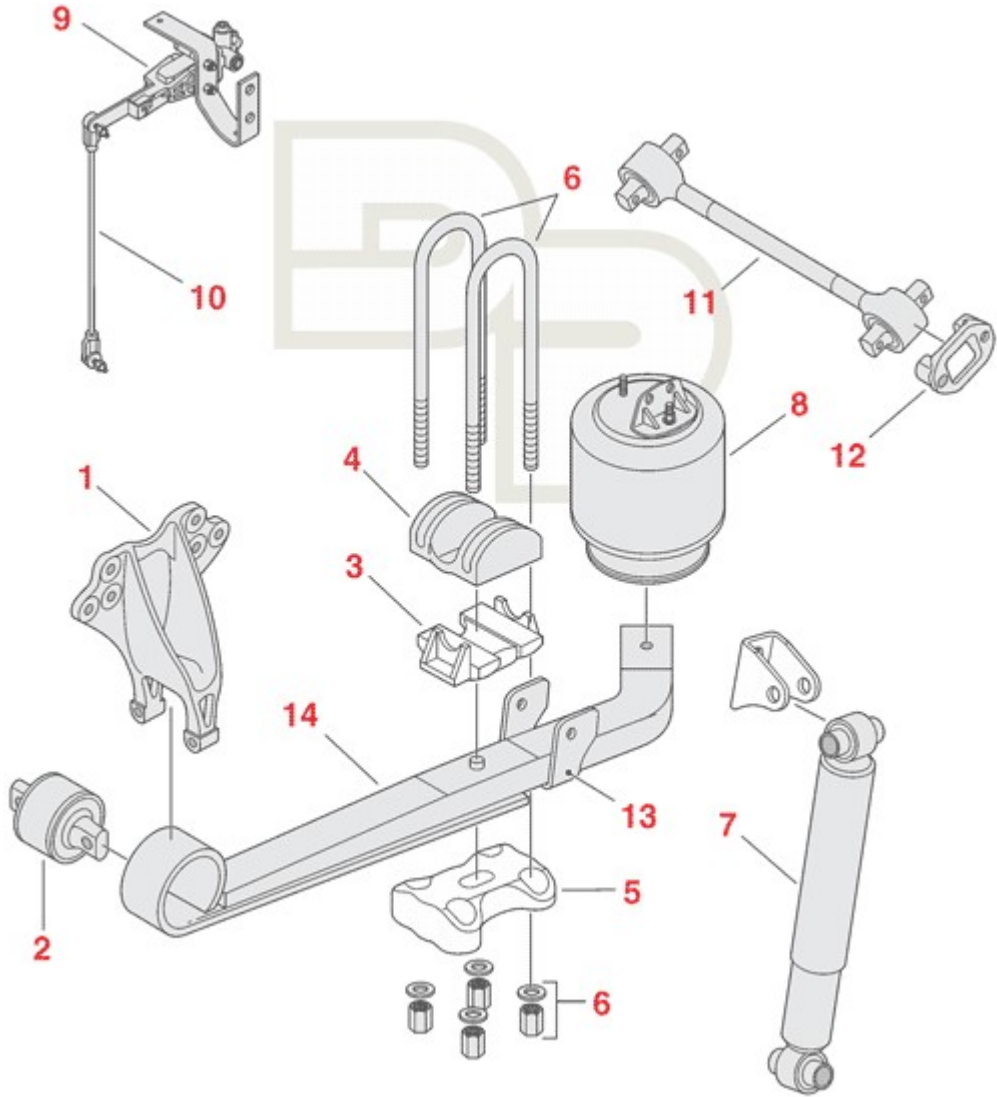




Navistar Rear Suspension - Corporate Air Beam Rear Single/Tandem Axle



Call us if you can't find or identify the part you need

Navistar Rear Suspension - Corporate Air Beam Rear Single/Tandem Axle

	Part #	Description	OEM #	Price	Note
14	55-1231	2 Leaf Air Beam (Single Axle) Left	3544137C97	\$364.67	Left Side - Single Axle
14	55-1233	2 Leaf Air Beam (Single Axle) Right	3544138C97	\$363.20	Right Side - Single Axle
14	55-1235	2 Leaf Air Beam (Dual Axle) Left	3544144C99	\$353.45	Left Side - Single Axle
14	55-1237	2 Leaf Air Beam (Dual Axle) Right	3544145C99	\$353.45	Left Side - Single Axle
1	338-1918	Hanger	3545280C1	\$155.74	
1	338-2342	Hanger	3624113C3	\$187.44	Heavy Duty
2	RB-268	Bushing, Anti-walk	3538115C1	\$35.70	
4	338-2343	Saddle, U-Bolt	3541681C5	\$35.37	
6	361-632	Kit, U-Bolt; 7/8" x 5-1/2" x 16-3/4"Lg	3538842C2	\$47.24	7/8" x 5-1/2" x 16-3/4"
6	361-664	Kit, U-Bolt; 7/8 "x 5-1/2" x 15-3/4"Lg		\$50.33	7/8 "x 5-1/2" x 15-3/4"
8	352-1191	Air Spring	3541731C1	\$154.81	
9	334-1580	Valve, Integral Dump; Height Control	H00500COE	\$87.01	w/Integral Dump Valve; Reuse Factory Brackets
10	334-751	Linkage Assembly; Universal Adjustable		\$12.88	3-5/8" to 19-5/8" Range; Use w/All Height Control Valves
11	345-904	Track Rod; 25-3/8"Lg c/c	3580088C1	\$89.02	Replaces 3548381C1
12	338-181	Bracket, Track Rod/Frame	3544710C1 / 752999C1 / 22186-000	\$15.40	For 5/8" Bolts
13	334-2000	Shock Absorber Bracket	3549103C2	\$48.97	

Call us if you can't find or identify the part you need