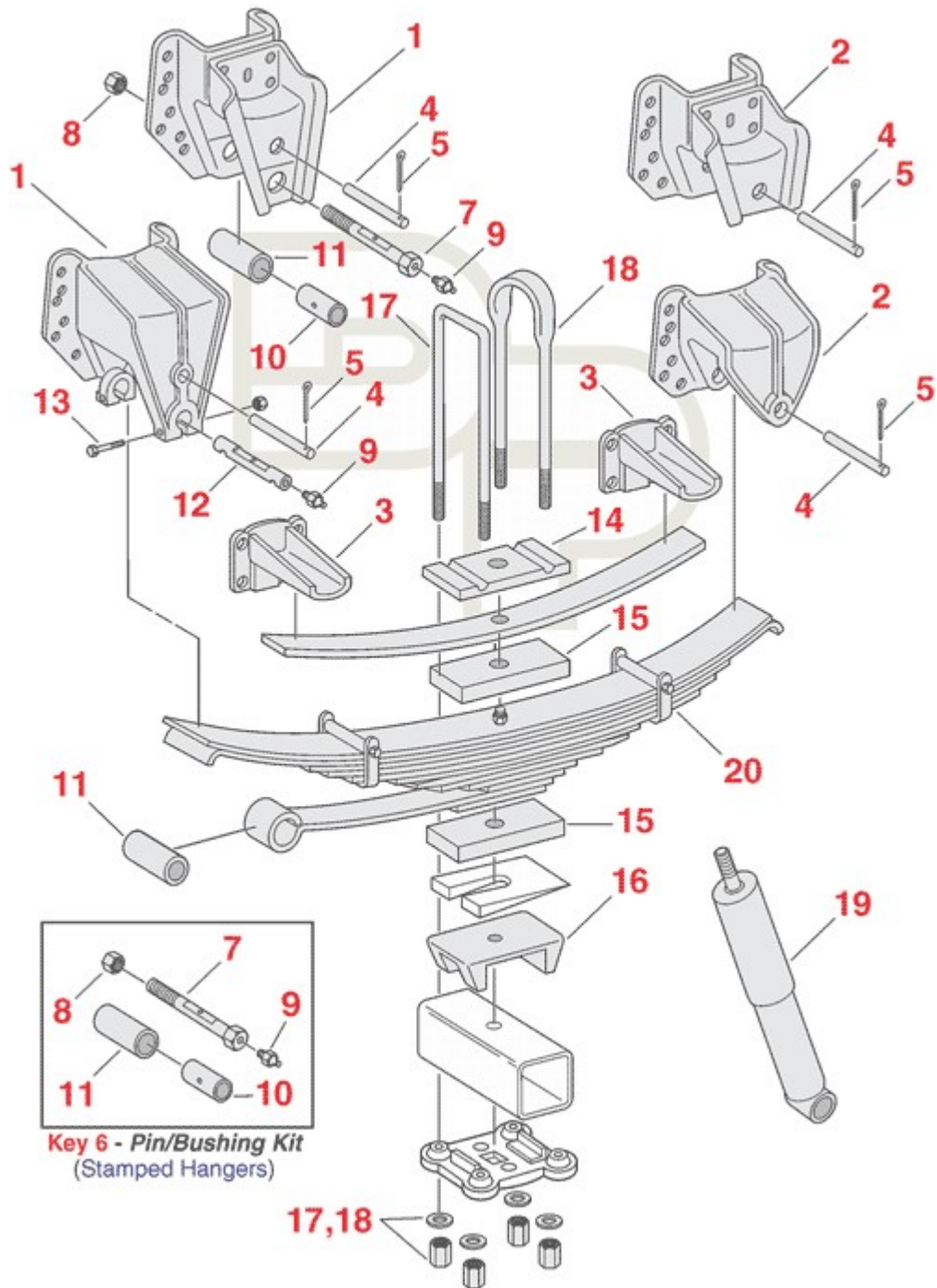




Navistar Rear Suspension - Medium & Heavy S Series, 3000/4000/7000/8000
Single Axle



Call us if you can't find or identify the part you need

Navistar Rear Suspension - Medium & Heavy S Series, 3000/4000/7000/8000
Single Axle

	Part #	Description	OEM #	Price	Note
20	55-029	12 Leaf Spring (10/2PD/2)	471292C91	\$257.13	Torque Leaf Style
20	55-033	13 Leaf Spring (11/PD/2)	471293C91	\$417.42	Torque Leaf Style
20	55-035	14 Leaf Spring (12/2)	473276C91	\$346.75	Torque Leaf Style
20		14 Leaf Spring - HD			
	55-035HD	Version (12/2)	N/A	\$397.50	Torque Leaf Style
20	55-037	Helper Spring	473725C91	\$78.73	
20		Helper Spring - HD			
	55-037HD	Version	N/A	\$139.47	
20	55-1213	13 Leaf Spring	3534535C91	\$405.19	Torque Leaf Style
20	55-1217	12 Leaf Spring (10/2PD/2)	3534537C91	\$312.84	Torque Leaf Style
20	55-1219	14 Leaf Spring (12/2)	3534538C91	\$375.35	Torque Leaf Style
20		Leaf Spring - HD Version			
	55-1219HD	(12/2)	N/A	\$475.94	Torque Leaf Style
1	338-912	Hanger; Stamped	483611C2	\$148.74	Can Use 338-932
1	338-932	Hanger; Cast	1654325C1 / 481297C1		Will Replace 338-912 Except 4800/2000 w/14277 & 14298 Axle Codes
				\$85.15	
2	338-913	Hanger; Stamped	483612C1	\$137.18	Can Use 338-933
2	338-933	Hanger; Cast	481223C1 / 2033141C1		Will Replace 338-913 Except 4600/4700 LoPro
				\$74.92	
3	338-1039	Bracket, Helper	892262R2 / 454798C3	\$17.51	
4	327-282	Pin, Rebound; 3/4" x 5-7/8"Lg	206258R3 / 206258R1	\$5.43	
6	328-100	Kit, Pin/Bushing; Stamped Hangers	1653055C91		Incl. (1) 327-442, (1) 322-121, (1) RNG-BM, (1) SLNC-107
				\$34.05	
6	334-964	Kit, Bushing & Pin; Urethane		\$54.11	Use w/Cast Hangers
6	334-965	Kit, Bushing & Pin; Urethane		\$30.22	Use w/Stamped Hangers

Call us if you can't find or identify the part you need

7	327-442	Bolt, Spring; 1"-8 x 5"Lg; Greaseable		\$14.33	Replaces 327-293
10	322-121	Spacer, Spring Eye	471569C2	\$9.80	w/Stamped Hangers
11	RNG-BM	Bushing; 1-1/4"ID x 1- 1/2"OD x 3"Lg	471226C1	\$9.01	
12	327-212	Spring Pin; 1-1/4"OD x 5"Lg x 4" c/c	190702R1	\$9.03	Use w/Cast Hangers w/o 14277 & 14298 Axle Codes
12	327-239	Spring Pin; 1-1/4"OD x 5- 1/4"Lg x 1/2" c/e	481302C1/2	\$10.50	Use w/Cast Hangers w/14277 & 14298 Axle Codes
12	327-479	Spring Pin; 1-1/4"OD x 5- 9/16"Lg x 4" c/c	1671766C1	\$12.43	Use w/338-932 Hanger
14	338-1335	Saddle, U-Bolt; 3" x 7- 7/8"Lg x 6-1/4" c/c	190287R1	\$21.81	7/8" Square U- Bolts
14	338-741	Saddle, U-Bolt; 3" x 6- 7/8"Lg	74496R1	\$9.89	Square U-Bolts Only
14	338-742	Saddle, U-Bolt; 3" X 8- 7/8"Lg	63324H	\$27.00	Round U-Bolts Only
15	338-1268	Spacer; 3"W x 7-1/2"L x 1"Thk x 1" Hole		\$24.77	Universal
16	338-1018	Seat, Spring; LH	473396C2	\$19.87	4-5/8" x 5-1/4" Axle x 4° Pitch
16	338-1019	Seat, Spring; RH	473397C1	\$19.68	4-5/8" x 5-1/4" Axle x 4° Pitch
16	338-1594	Seat; 11.6°	493481C2	\$31.92	4-5/16" x 10° Pitch
16	338-1593	Seat; 10°	493480C2	\$36.64	4-5/16" x 11.6° Pitch
17	361-272	Kit, U-Bolt; Square Bend, Grade 8	53398R22	\$32.03	3/4" x 3" x 18-3/8" S
17	361-270	Kit, U-Bolt; Special Bend, Grade 8	465914C1	\$33.79	3/4" x 3" x 18-3/8" SR
17	361-298	Kit, U-Bolt; Special Bend, Grade 8	465915C1	\$35.25	3/4" x 3" x 23-3/8" IR2
17	361-296	Kit, U-Bolt; Square Bend, Grade 8	465911C1	\$37.93	7/8" x 3" x 18-1/4" S

Call us if you can't find or identify the part you need

18	361-266	Kit, U-Bolt; Round Bend, Forged Top, Grade 8	53404R2	1" x 3" x 21" R \$83.84
18	361-268	Kit, U-Bolt; Round Bend, Forged Top, Grade 8	53407R2	1" x 3" x 26-1/4" R \$101.87
19	M66924	Shock Absorber		\$61.71
19	M66606	Shock Absorber		\$51.05

Call us if you can't find or identify the part you need