

Bushing Identification

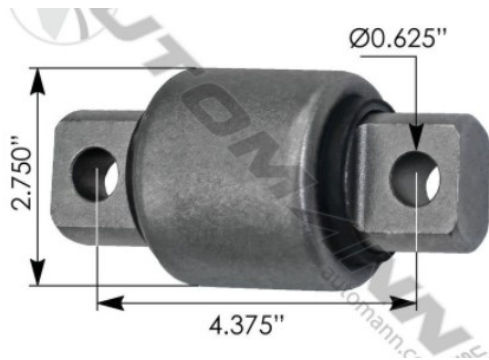
II. Torque Rod Bushings

A. RB Bushing – Unsleeved (Steel & Rubber or Urethane)



	<u>Example</u>	<u>Yours</u>
I.D.	1.25"	_____
O.D.	2.0"	_____
Length	3.25"	_____

B. RB Bushing – Straddle Mount (Steel & Rubber or Urethane)



	<u>Example</u>	<u>Yours</u>
O.D.	2.75"	_____
Bolt Holes	0.625"	_____
Outer Sleeve	??	_____
C-C	4.375"	_____
Length	??	_____

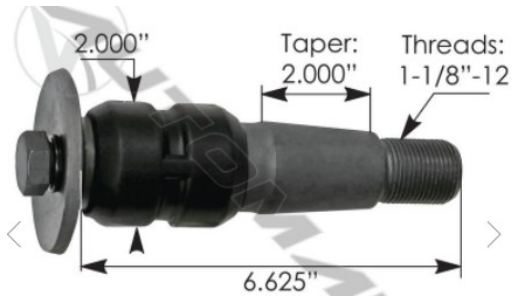
C. RB Bushing – Unsleeved Straddle Mount (Steel & Rubber or Urethane)



	<u>Example</u>	<u>Yours</u>
O.D.	2.0"	_____
Bolt Holes	0.75"	_____
C-C	4.375"	_____
Length	??	_____

Bushing Identification

D. Tapered Pin [Ball Stud] Bushing – (Steel & Rubber or Urethane)



	<u>Example</u>	<u>Yours</u>
O.D.	2.0"	_____
Taper	2.0"	_____
Length	6.625"	_____
Threads	1-1/8"-12	_____

E. Two Piece Torque Rod Bushing (Rubber or Urethane 2-Piece Bushing w/ Sleeve)



	<u>Example</u>	<u>Yours</u>
<u>Sleeve:</u>		
I.D.	0.875"	_____
O.D.	1.25"	_____
Length	3.0"	_____
<u>Outer 2-Piece Bushing:</u>		
I.D.	1.25"	_____
O.D.	??	_____
Length	1.34"	_____