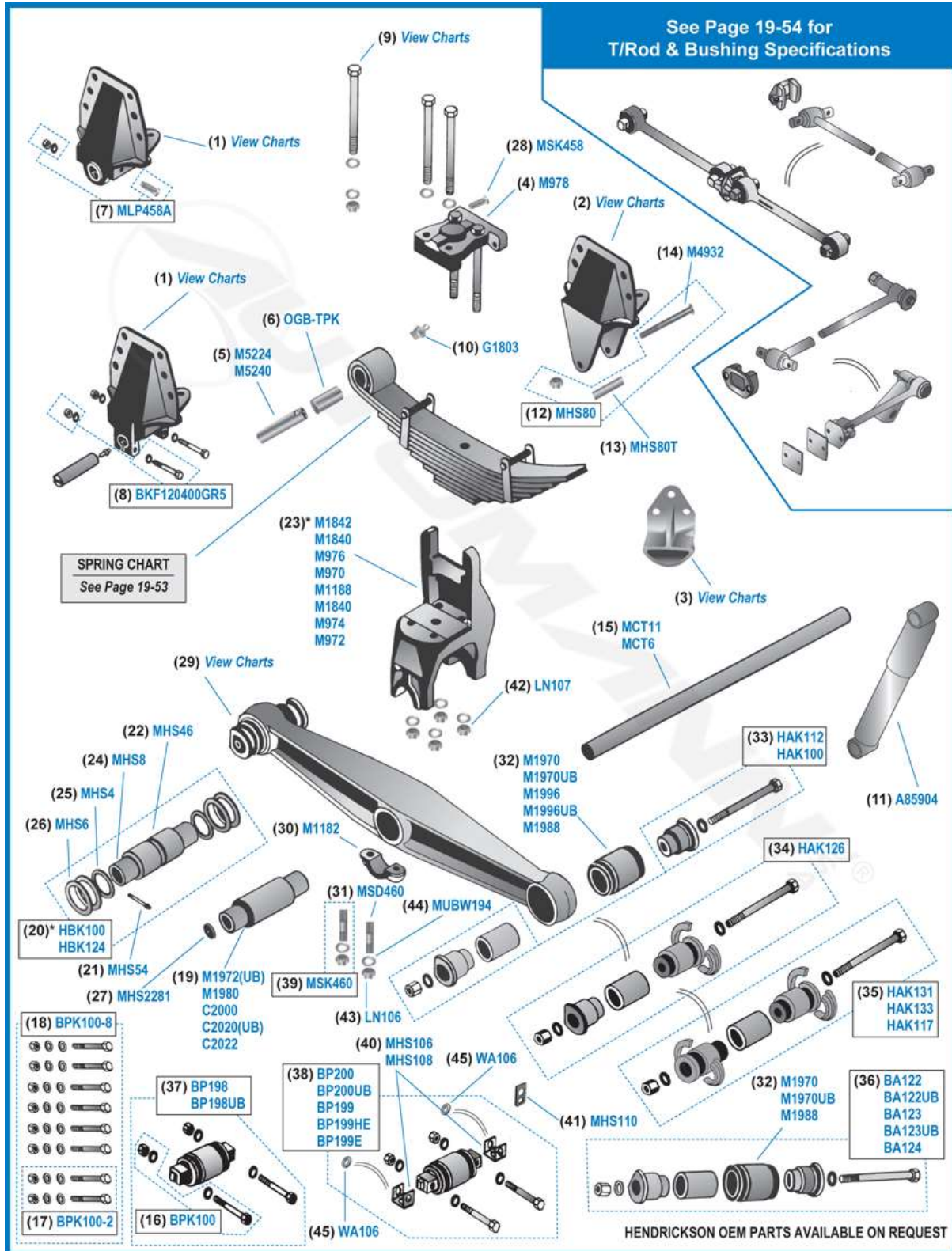


# Suspension Schematic: Hendrickson Rear RT/RTE, RT2/RTE2 343 thru 523 Series (Revised)

Schematic Parts List





Key	Part No.	OEM Ref.	Req.	Description	Notes
1	<a href="#">View Charts</a>	Various	2	#1 Front Hanger	Double Lock
2	<a href="#">View Charts</a>	Various	2	#2 Rear Hanger	Uses Rebound Bolt
3	<a href="#">View Charts</a>	Various	2	#3 Hanger	Extended Leaf
4	<a href="#">M978</a>	35064000	2	Top Pad	Cast# 47880, Repls. Cast# 47618
5	<a href="#">M5224</a>	32277000	2	Spring Pin	1-3/8" OD x 7-3/16" Lg. x 5/8" CtoE, Single Lock
5	<a href="#">M5240</a>	43146000	2	Spring Pin	1-3/8" OD x 6-7/8" Lg. x 5-3/8" CtoC, Double Lock
6	<a href="#">OGB-TPK</a>	30057008	2	Bushing	1-3/8" ID x 1-5/8" OD x 4.0" Lg.
7	<a href="#">MLP458A</a>	00062001L	A/R	Lock Pin Kit	Incls. Washer & Nut
8	<a href="#">BK120400GR5</a>	29828035 / 46825001	4	Lock Bolt Kit	1/2"-13 x 4.0" Lg., Incl. Bolt & Hrdw.
9	<a href="#">View Charts</a>	Various	8	Top Pad Bolt	1.0" Dia., Check Length
10	<a href="#">G1803</a>	33117000	2	Grease Fitting	1/8"-27 NPT, Str.
11	<a href="#">A85904</a>	57324006	A/R	Shock	Verify w/Shock Catalog, RT2/TRE2 (400/502) Only w/ 10.4" to 12.27" Rd. Hgt. and 52" & 54" Beams, or, w/ 8.52" to 10.37" Rd. Hgt. and 60" Beams, ES36/ES36
12	<a href="#">MHS80</a>	29828023	2	Rebound Bolt & Spacer Kit	1/2"-13 x 6-1/2" Lg. Bolt w/ Roller & Nut
13	<a href="#">MHS80T</a>	194000	2	Sleeve Roller	5/8" ID x 7/8" OD x 4.0" Lg., Was MHS104
14	<a href="#">M4932</a>	24531005	2	Rebound Bolt	1/2"-13 x 6-1/2" Lg. Gr8
15	<a href="#">MCT11</a>	7622003	1	Cross Tube	2-7/16" x 46.0" Lg.
15	<a href="#">MCT6</a>	44643009	1	Cross Tube	2-7/16" x 44-7/8.0" Lg.
16	<a href="#">BPK100</a>	48941000	8	Bar Pin Bolt Kit	1.0"-8 x 6.0" Lg. Gr8, Incl. Nut & Washers
17	<a href="#">BPK100-2</a>	34013104	4	Bar Pin Bolt Kit	2-BPK100
18	<a href="#">BPK100-8</a>	56659001	1	Bar Pin Bolt Kit	8-BPK100
19	<a href="#">M1972</a>	5919000	2	Rubber Center Bushing	Welded Plug
19	<a href="#">M1972UB</a>		2	Rubber Center Bushing	Poly
19	<a href="#">M1980</a>	22282000	2	Rubber Center Bushing	Loose Plug,
19	<a href="#">C2000</a>	29483005	2	Rubber Center Bushing	Welded Plug, SD,All
19	<a href="#">C2020</a>	49400000	2	Rubber Center Bushing	Welded Plug, High Confine, 343/400/403
19	<a href="#">C2020UB</a>		2	Rubber Center Bushing	Poly, Welded Plug, High Confine, 343/400/403
19	<a href="#">C2022</a>	49600000	2	Rubber Center Bushing	Loose Plug, High Confine, 343/400/403
20	<a href="#">HBK100</a>	30437000	1	Bronze Center Bushing Kit	Does 2 Beams, All Series
20	<a href="#">HBK124</a>	34013054	2	Bronze Center Bushing Kit	Does 1 Beam Only, All Series
20	Ref.	34013097	2	Bronze Center Bushing Kit	
21	<a href="#">MHS54</a>	30087000	2	Grease Fitting	1/8"-27 NPT, 2-1/4" Lg., For Cast Beams
22	<a href="#">MHS46</a>	30240002	2	Bronze Center Bushing	3-1/2" ID x 4-3/4" OD



Home	Category	Brand	Make/Model	New Arrivals	Wizards	Schematics	Quick Links	Help
23	<a href="#">M1040</a>	31017109	2	Saddle Assembly	Verify w/Cast#, Low Back, 7-3/16" Hgt., RT380/400, 34K-40K, Cast#s 37143			
23	<a href="#">M976</a>	31017022	2	Saddle Assembly	Verify w/Cast#, Low Back, 6.0" Hgt, RT380/400, 34K-40K, Cast#s 57167, 6658, 42933,			
23	<a href="#">M970</a>	31017096	2	Saddle Assembly	Verify w/Cast#, High Back, 6.0" Hgt., RT380/400/440/460, 46K, Cast#s 45605, 57457			
23	<a href="#">M1188</a>	31017053	2	Saddle Assembly	Verify w/Cast#, 6.0" Hgt, Reinforced, Cast#s 13088-2, 32796, 35208-1, 450,480,520 Series, 48K-50K			
23	<a href="#">M1840</a>	31017006	2	Saddle Assembly	Verify w/Cast#, Cast# 32102-1, Repld. By M1842			
23	Ref.	31017077	2	Saddle Assembly	Verify w/Cast#, High Back,7-3/16" Hgt., Cast#s 47476,47665, 32102-1, 450,480,520, 48K-52K			
23	Ref.	31017108	2	Saddle Assembly	Verify w/Cast#, Cast#s 50965, 11.0" Hgt., 48K-52K			
23	<a href="#">M974</a>	31017023	2	Saddle Assembly	Verify w/Cast#, Cast#s 46529, 6-3/16" Hgt., 34K			
23	<a href="#">M972</a>	31017025	2	Saddle Assembly	Verify w/Cast#, Cast#s 46138, 7-3/16" Hgt., 34K			
24	<a href="#">MHS8</a>	14685000	2	Center Sleeve	2-1/2" ID x 3-1/2" OD x 12.0" Lg.			
25	<a href="#">MHS4</a>	30334000	4	Grease Seal	3-7/16" ID x 4-3/4" OD x 1/4" Tk.			
26	<a href="#">MHS6</a>	32365000	8	Thrust Washer	3-1/2" ID x 5-3/4" OD x 1/8" Tk., 34K-46K			
27	<a href="#">MHS2281</a>	22281000	2	End Plug	2-7/16" Dia. x 3/16" Tk.			
28	<a href="#">MSK458</a>	35370002	4	Set Screw Kit	3/4"-10 x 3-1/4" Lg., Incl. Washer & Nut			
29	View Charts	Various	2	Walking Beam Assembly	Verify w/OEM			
30	<a href="#">M1182</a>	35229000 / 06612000 / 48545000 / 58795000	4	Saddle Cap				
31	<a href="#">MSD460</a>	6696000	8	Saddle Stud	7/8"-14 x 4-7/8" Lg.			
32	<a href="#">M1970</a>	45900000	4	Beam End Bushing	Old Style, 5-3/4" Lg., 343 - 463 Series			
32	<a href="#">M1970UB</a>	45900000	4	Beam End Bushing	Old Style, 5-3/4" Lg., 380 - 440 Series			
32	<a href="#">M1996</a>	45407000	4	Beam End Bushing	6.0" Lg., 520/523 Series, Poly M1996UB			
32	<a href="#">M1988</a>	29878001	4	Beam End Bushing	Rubber, 5-3/4" Lg. 480/503/520/523 Series			
33	<a href="#">HAK112</a>	21140034	4	Beam End Adapter Kit	1.0" Bolt, Use w/ 5-3/4" Bushings, 463/480/503/523			
33	<a href="#">HAK100</a>	45000007	4	Beam End Adapter Kit	3/4" Bolt, 3/4" Bolt, Use w/ 5-3/4" Bushing			
33	<a href="#">HAK114</a>	21140033	4	Beam End Adapter Kit	Old Style, R520/523			
34	<a href="#">HAK126</a>	45000008	4	Beam End Adapter Kit	Solid/Split Ring Adapters, Use w/5-3/4" Bush, 343/400/403			
35	<a href="#">HAK131</a>	21140023	4	Beam End Adapter Kit	Split Ring, Use w/ 6.0" Bushing, 520 Series			
35	<a href="#">HAK133</a>	21140028	4	Beam End Adapter Kit	Split Ring Type, 5-3/4" Bushing, 450,480 Series			
35	<a href="#">HAK117</a>	21140026	4	Beam End Adapter Kit	Split Ring, Use w/ 7.0" Bushing w/o Sleeve			
36	<a href="#">BA122</a>	34013049	4	Beam End Bushing Kit	Old Style, M1970 Bush & HAK100 Adapter, 343/400/403, 34K-40K			
36	<a href="#">BA122UB</a>		4	Beam End Bushing Kit	Old Style, M1970UB Bush & HAK100 Adapter, 343/400/403, 34-40K			



Home	Category ▾	Brand ▾	Make/Model ▾	New Arrivals ▾	Wizards ▾	Schematics ▾	Quick Links ▾	Help ▾
35	<a href="#">BA125UB</a>			4	Beam End Bushing Kit	HAK112 Adapter, M1988 (5-3/4") Bushing, 503/523, 40K		
36	<a href="#">BA124</a>	34013050		4	Beam End Bushing Kit	HAK112 Adapter, M1988 (5-3/4") Bushing, 503/523		
36	<a href="#">BA126</a>	34013051		4	Beam End Bushing Kit	RS520/523		
37	<a href="#">BP198</a>	34013087		4	Bar Pin Bushing Kit	Non Shim, w/Bar Pin Bushing & Mounting Hrdw.		
37	<a href="#">BP198UB</a>			4	Bar Pin Bushing Kit	Poly, Non Shim		
38	<a href="#">BP200</a>	34013088		4	Bar Pin Bushing Kit	w/Bar Pin Bushing, w/MHS108 Shims & Hrdw.		
38	<a href="#">BP200UB</a>			4	Bar Pin Bushing Kit	Poly, w/Bar Pin Bushing, w/MHS108 Shims & Hrdw.		
38	<a href="#">BP199</a>	34013188L		4	Bar Pin Bushing Kit	Free Rotating Pin w/MHS108 Shims & Hrdw.		
38	<a href="#">BP199HE</a>	34013188L		4	Bar Pin Bushing Kit	OEM Kit		
38	<a href="#">BP199UB</a>			4	Bar Pin Bushing Kit	Poly, Non Rotating Pin w/WA106 Shims & Hrdw.		
39	<a href="#">MSK460</a>			8	Saddle Stud Kit	7/8"-14 x 4-7/8" Lg. & Hrdw.		
40	<a href="#">MHS106</a>	50130000		8	Alignment Shim	3/16" Tk.		
40	<a href="#">MHS108</a>	50131000		8	Alignment Shim	1/8" & 1/4" Tk.		
41	<a href="#">MHS110</a>	57026000		8	Alignment Shim	3/8" Tk.		
42	<a href="#">LN107</a>	8017000		8	Lock Nut	1.0"-14 For Top Pad Bolt		
43	<a href="#">LN106</a>	4842000		8	Lock Nut			
44	<a href="#">MUBW194</a>	22962006		1	Washer	1.0" ID		
45	<a href="#">WA106</a>			8	Alignment Shim	3/16" Tk., Use w/BP199UB only		
SC	<a href="#">50-267</a>					RT/RT2, 33" Hanger Spacing		
SC	<a href="#">50-291</a>					RT/RT2, 33" Hanger Spacing		
SC	<a href="#">50-291OE</a>					RT/RT2, 33" Hanger Spacing		
SC	<a href="#">50-409</a>					RT/RT2, 33" Hanger Spacing		
SC	<a href="#">50-415</a>					RT/RT2, 33" Hanger Spacing		
SC	<a href="#">50-421</a>					RT/RT2, 33" Hanger Spacing		
SC	<a href="#">50-307</a>					RT/RT2, 33" Hanger Spacing		
SC	<a href="#">50-285</a>					RT/RT2, 33" Hanger Spacing		
SC	<a href="#">50-301</a>					RT/RT2, 33" Hanger Spacing		
SC	<a href="#">50-301OE</a>					RT/RT2, 33" Hanger Spacing		
SC	<a href="#">50-405</a>					RT/RT2, 33" Hanger Spacing		
SC	<a href="#">50-371</a>					RT/RT2, 33" Hanger Spacing		
SC	<a href="#">50-425</a>					RT/RT2, 33" Hanger Spacing		
SC	<a href="#">50-345</a>					RT/RT2, 33" Hanger Spacing		
SC	<a href="#">50-451</a>					RT/RT2, 33" Hanger Spacing		
SC	<a href="#">50-347</a>					RT/RT2, 33" Hanger Spacing		
SC	<a href="#">50-373</a>					RT/RT2, 33" Hanger Spacing		



SC	<a href="#">50-449</a>				RT/RT2, 33" Hanger Spacing
SC	<a href="#">50-321</a>				RT/RT2, 33" Hanger Spacing
SC	<a href="#">50-463</a>				RT/RT2, 33" Hanger Spacing
SC	<a href="#">50-235</a>				RT/RT2, 34" Hanger Spacing
SC	<a href="#">50-241</a>				RT/RT2, 34" Hanger Spacing
SC	<a href="#">50-379</a>				RT/RT2, 34" Hanger Spacing
SC	<a href="#">50-185</a>				RT/RT2, 34" Hanger Spacing
SC	<a href="#">50-169</a>				RT/RT2, 34" Hanger Spacing
SC	<a href="#">50-239</a>				RT/RT2, 34" Hanger Spacing
SC	<a href="#">50-213</a>				RT/RT2, 34" Hanger Spacing
SC	<a href="#">50-215</a>				RT/RT2, 34" Hanger Spacing
SC	<a href="#">50-215OE</a>				RT/RT2, 34" Hanger Spacing
SC	<a href="#">50-245</a>				RT/RT2, 34" Hanger Spacing
SC	<a href="#">50-227</a>				RT/RT2, 34" Hanger Spacing
SC	<a href="#">50-275</a>				RTE/RTE2, 33" Hanger Spacing
SC	<a href="#">50-275OE</a>				RTE/RTE2, 33" Hanger Spacing
SC	<a href="#">50-243</a>				RTE/RTE2, 33" Hanger Spacing
SC	<a href="#">50-309</a>				RTE/RTE2, 33" Hanger Spacing
SC	<a href="#">50-369</a>				RTE/RTE2, 33" Hanger Spacing
SC	<a href="#">50-183</a>				RTE/RTE2, 33" Hanger Spacing
SC	<a href="#">50-305</a>				RTE/RTE2, 33" Hanger Spacing
SC	<a href="#">50-349</a>				RTE/RTE2, 33" Hanger Spacing
SC	<a href="#">50-461</a>				RTE/RTE2, 33" Hanger Spacing
SC	<a href="#">50-299</a>				RTE/RTE2, 33" Hanger Spacing
SC	<a href="#">50-299OE</a>				RTE/RTE2, 33" Hanger Spacing
SC	<a href="#">50-343</a>				RTE/RTE2, 33" Hanger Spacing
SC	<a href="#">50-411</a>				RTE/RTE2, 33" Hanger Spacing
SC	<a href="#">50-255</a>				RTE/RTE2, 34" Hanger Spacing
SC	<a href="#">50-293</a>				RTE/RTE2, 34" Hanger Spacing