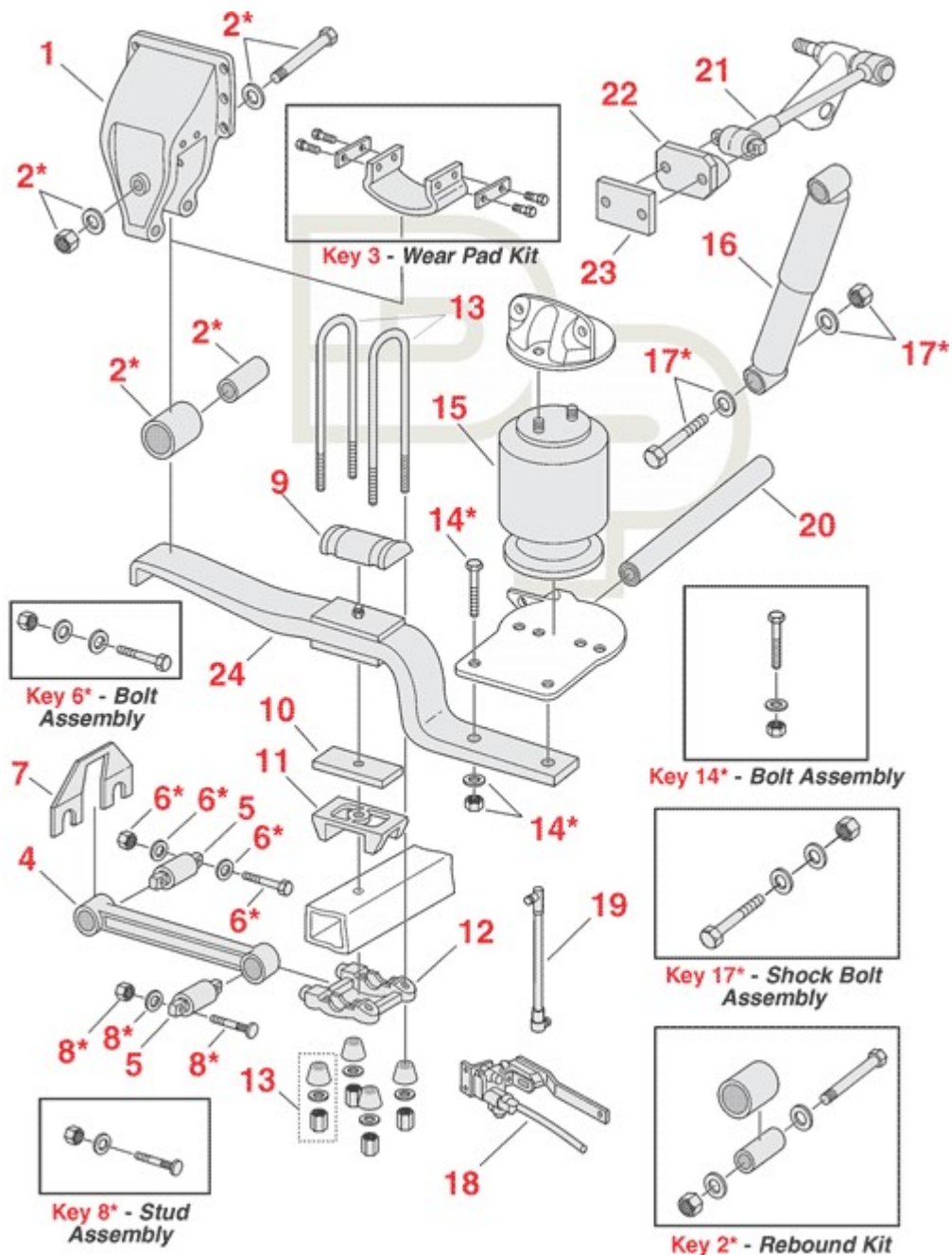




Hendrickson Rear Air Suspension - HA 180/200/230, HA 360/400/460
Single/Tandem Axle



Call us if you can't find or identify the part you need

Hendrickson Rear Air Suspension - HA 180/200/230, HA 360/400/460
Single/Tandem Axle

	Part #	Description	OEM #	Price	Note
24	50-367	Single Leaf Z Spring	56871-001	\$204.77	
24	50-363	Single Leaf Z Spring	48645-001	\$352.28	
24	50-361	Single Leaf Z Spring	48112-001	\$270.11	
1	338-760	Hanger, Front	56673-1, 49726-1	\$180.56	Casting No. 47431, 49723 & 56672
1		Hanger, Front; LH/RH	56830-XXX, 48533-XXX		Call For I.D. & Price
2	334-527	Assembly, Bolt; Rebound; 1/2"-13 x 5"Lg	49175-5	\$13.11	Incl. Bolt, Tube, Roller & Hdwe.
3	334-874	Kit, Service; Wear Pad	56557-1	\$18.97	Incl. Wear Pad & Self Tap Screws
4	345-204	Torque Rod, Rigid; 15.83"Lg c/c	48411-1	\$111.18	Incl. 321-223 Bushings; Cast No. 48190-1; Front E4- 360/400, Cast
4	345-206	Torque Rod, Rigid; 16.50"Lg c/c	48411-3	\$136.18	Incl. 321-223 Bushings; Cast No. 48190-2
4	345-790	Torque Rod, Rigid; 15.83"Lg, 1.93" Tube	50376-2, 32271-98	\$124.32	Incl. 321-279 Bushings
5	321-223	Bushing; 4 3/8" c/c x 5/8" Bolts	47691	\$20.98	Straddlemount
5	321-279	Bushing; 2.46"OD x 4 3/8" c/c	57256	\$41.61	5/8" Bolts; Use w/345-200
5	321-132	Bushing; Straddlemount; 2 3/4"OD x 4 3/8" c/c	44695, 227720	\$30.20	5/8" Bolts; 1 1/4" Forged Rod
6	334-768	Assembly, Bolt; 5/8"-18 x 4 1/2"Lg	49176-1	\$4.03	Incl. Bolt & Hdwe.
7	334-526	Shim; 1/16"Thk 4 3/8" c/c	49689	\$4.75	
8	334-711	Assembly, Stud; 5/8"-11 x 4"Lg	49063	\$15.96	Incl. Stud & Hdwe.; E4-360/400 Axle End
9	338-1139	Saddle, U-Bolt	49337, 48797	\$31.51	For Round Bend U- Bolts
10	338-1140	Spacer; 1"	48902	\$16.92	

Call us if you can't find or identify the part you need

10	338-1141	Spacer; 1 1/2"	48903	\$29.51	
11		Seat, Spring; HA-460	Various		Call For I.D. & Price
12		Plate, Bottom; HA-460	Various		Call For I.D. & Price
13	361-350	Kit, U-Bolt; Round Bend, Grade 8	48718-1	\$31.27	7/8" x 3" x 15 1/2" R; Incl. Spherical Washers
14	334-877	Assembly, Bolt; 3/4"-10 x 4"Lg	50369	\$13.23	
15	49048-002L	Air Spring	49048	\$173.54	
15	50405-002L	Air Spring	50405	\$172.36	
16	M65420	Shock Absorber	60670-3, 47902-24/28	\$77.78	
16	M65412	Shock Absorber	47902-13, 47902-8	\$72.79	
16	M65411	Shock Absorber	47902-20	\$80.40	
16	M65479	Shock Absorber	47902-29	\$72.94	Ford
16	M65481	Shock Absorber	47902-9	\$84.21	Mack
17	334-1115	Assembly, Bolt; Shock Absorber	50368	\$10.73	Incl. 1/2"-13 Serrated Shank Bolt Washers
18	334-1647	Valve, Height Control; Universal	60826, 50433-1/2	\$78.01	Replaces 334-714/715
18	334-750	Valve, Height Control; Universal	H00450CA	\$69.03	Hadley, Model 450HCV
19	334-751	Linkage Assembly; Universal Adjustable	HPB450-3	\$12.88	3 5/8"-19 5/8" Range; Use w/All Height Control Valves
21	345-897	Kit, Torque Rod; Straddle/Taper Pin	60215	\$148.52	Use 345-610 & 345-681
21	345-610	Torque Rod End; Female; Straddlemount	66610, 46610	\$65.37	5/8" Bolts, 4 3/8" Spacing
21	345-681	Torque Rod End; Male; Taper Stud; 22 1/2"Lg	66681, 46681	\$95.02	1 1/4"-12, 2.90" Taper
22	338-181	Bracket, Track Rod/Frame	22186	\$15.40	For 5/8" Bolts
23	334-638	Plate, Reinforcement	45045-3	\$17.35	Torque Rod Plate

Call us if you can't find or identify the part you need