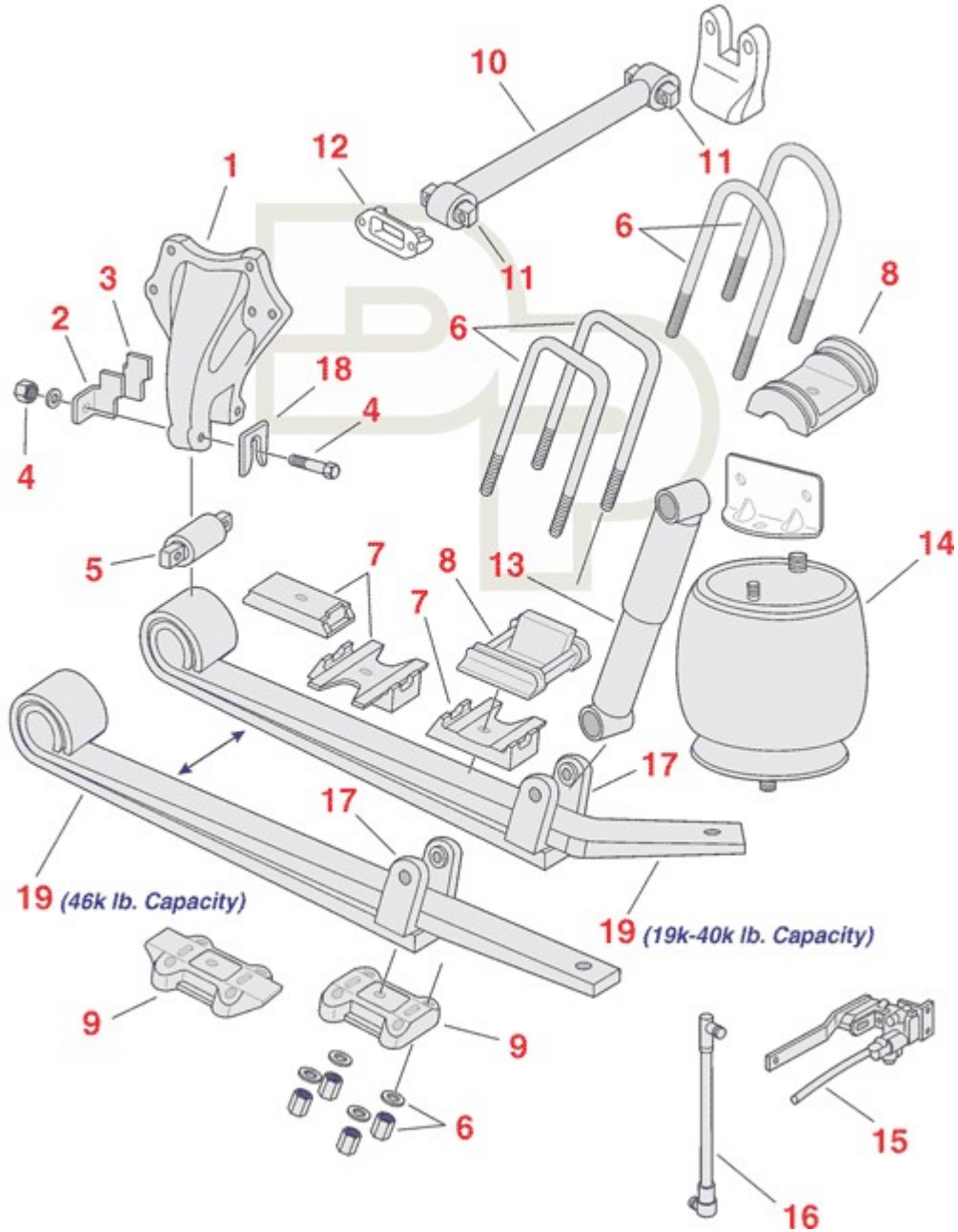




Freightliner Rear Suspension - FAS Airliner II



Call us if you can't find or identify the part you need

Freightliner Rear Suspension - FAS Airliner II

| | <u>Part #</u> | <u>Description</u> | <u>OEM #</u> | <u>Price</u> | <u>Note</u> |
|----|----------------------|---|---------------------|---------------------|-------------------------------------|
| 19 | 46-1211 | 2 Leaf Beam (Hockeystick) - Left Hand | A16-13999- 000 | \$361.41 | 18 - 20,000# Std Bushing |
| 19 | 46-1213 | 2 Leaf Beam (Hockeystick) - Right Hand | A16-13999- 001 | \$361.41 | 18 - 20,000# Std Bushing |
| 19 | 46-1217 | 2 Leaf Beam (Hockeystick) - Left & Right Hand | A16-13997- 000 | \$352.49 | 23K High Confine Bush |
| 19 | 46-1307 | 2 Leaf Beam (Hockeystick) - Left Hand | A16-16415- 000 | \$361.41 | 18-20K Antiwalk- out Bushing |
| 19 | 46-1309 | 2 Leaf Beam (Hockeystick) - Right Hand | A16-16415- 001 | \$361.41 | 18-20K Antiwalk- out Bushing |
| 19 | 46-1345 | 2 Leaf Beam (Hockeystick) - Left Hand | A16-16413- 000 | \$340.19 | 18 - 20K Antiwalk-out Bushing |
| 19 | 46-1347 | Single Leaf Beam (Hockeystick) - Right Hand | A16-16413- 001 | \$335.12 | 18 - 20K Antiwalk-out Bushing |
| 19 | 46-1349 | Single Leaf Beam (Hockeystick) - Left Hand | A16-16414- 000 | \$345.83 | 23K Antiwalk-out Bushing; 1st |
| 19 | 46-1351 | 2 Leaf Beam (Hockeystick) - Right Hand | A16-16414- 001 | \$345.83 | 23K Antiwalk-out Bushing; 1st |
| 19 | 46-1443 | 2 Leaf Beam (Hockeystick) - Left Hand | A16-18182- 000 | \$345.83 | 23K Antiwalk-out Bushing, 2nd |
| | | 46-1443 - Premium US* | | \$345.83 | |
| | | 46-1443 - Economy Import** | | \$278.30 | |
| 19 | 46-1445 | 2 Leaf Beam (Hockeystick) - Right Hand | A16-18182- 001 | \$345.83 | 23K Antiwalk-out Bushing, 2nd |
| | | 46-1445 - Premium US* | | \$345.83 | |
| | | 46-1445 - Economy Import** | | \$278.30 | |

Call us if you can't find or identify the part you need

| | | | | | |
|----|----------|-----------------------------------|------------------------------------|----------|---------------------------------|
| 6 | 361-468K | U-Bolt Kit | 681 325 0325 | \$40.69 | 7/8" x 5-1/4" x 15-5/8" FS |
| 6 | 361-636K | U-Bolt Kit | | \$61.67 | 1" x 5-1/8" x 17- 7/8" Round |
| 1 | 338-1419 | Front Hanger | 681 325 1201 / 16-14031- 003 | \$152.64 | Heavy Flange |
| 1 | 338-2278 | Front Hanger | 16-13901-000 / 16-14031- 000 | \$159.28 | |
| 9 | 338-2283 | Bottom Plate | 16-14266-001 | \$108.38 | |
| 9 | 338-2265 | Bottom Plate | 16-14016-001 | \$66.39 | |
| 5 | RB-205 | Spring Bushing; 2- 1/2"OD | 681 325 0150 / 681 325 0250 | \$36.09 | |
| 5 | RB-234 | Spring Bushing (HC) | 16-13962-000 | \$37.56 | |
| 5 | RB-268 | Spring Bushing (Anti- Walkout) | 16-16412-001 | \$37.36 | |
| 2 | 334-1993 | Hanger Wear Pad - LH | 16-16456-000 | \$6.69 | |
| 3 | 334-1994 | Hanger Wear Pad - RH | 16-16456-001 | \$6.69 | |
| 15 | 334-750 | Height Control Valve | H00450CA | \$72.49 | |
| 14 | 352-9780 | Air Spring | 681 320 0017 | \$121.78 | 40K Composite Piston |
| 14 | 352-9781 | Air Spring | 16-14004-000 / 16-14377- 000 | \$138.38 | 46K Aluminum Piston |
| 14 | 352-9782 | Air Spring | 16-16773-000 | \$255.92 | Steel Piston |
| 13 | M65490 | Shock | Various | \$69.74 | |
| 10 | 345-212 | Rigid Track Rod: 23- 15/16" | 681 326 6716 | \$93.29 | |
| 10 | 345-915 | Rigid Track Rod: 23- 15/16" | A16-16749- 001 | \$87.48 | |
| 10 | 345-213 | Rigid Track Rod: 22.89" | 681 326 6316 | \$111.88 | |
| 10 | 345-868 | Rigid Track Rod: 24-1/2" | 16-16749-002 | \$97.70 | |
| 10 | 345-888 | Rigid Track Rod: 24.44" | 16-14149-002 | \$175.15 | |

Call us if you can't find or identify the part you need

| | | | | |
|----|---------|--------------------------------|------------------------------------|----------|
| 10 | 345-916 | Rigid Track Rod: 24.21" | 16-18972-000 / 16-15632- 000 | \$112.96 |
| 10 | 345-966 | Rigid Track Rod: 23- 13/16" | 16-18972-001 | \$110.78 |

* Premium version with 12 month warranty.

** Economy version with 6 month warranty.

Call us if you can't find or identify the part you need