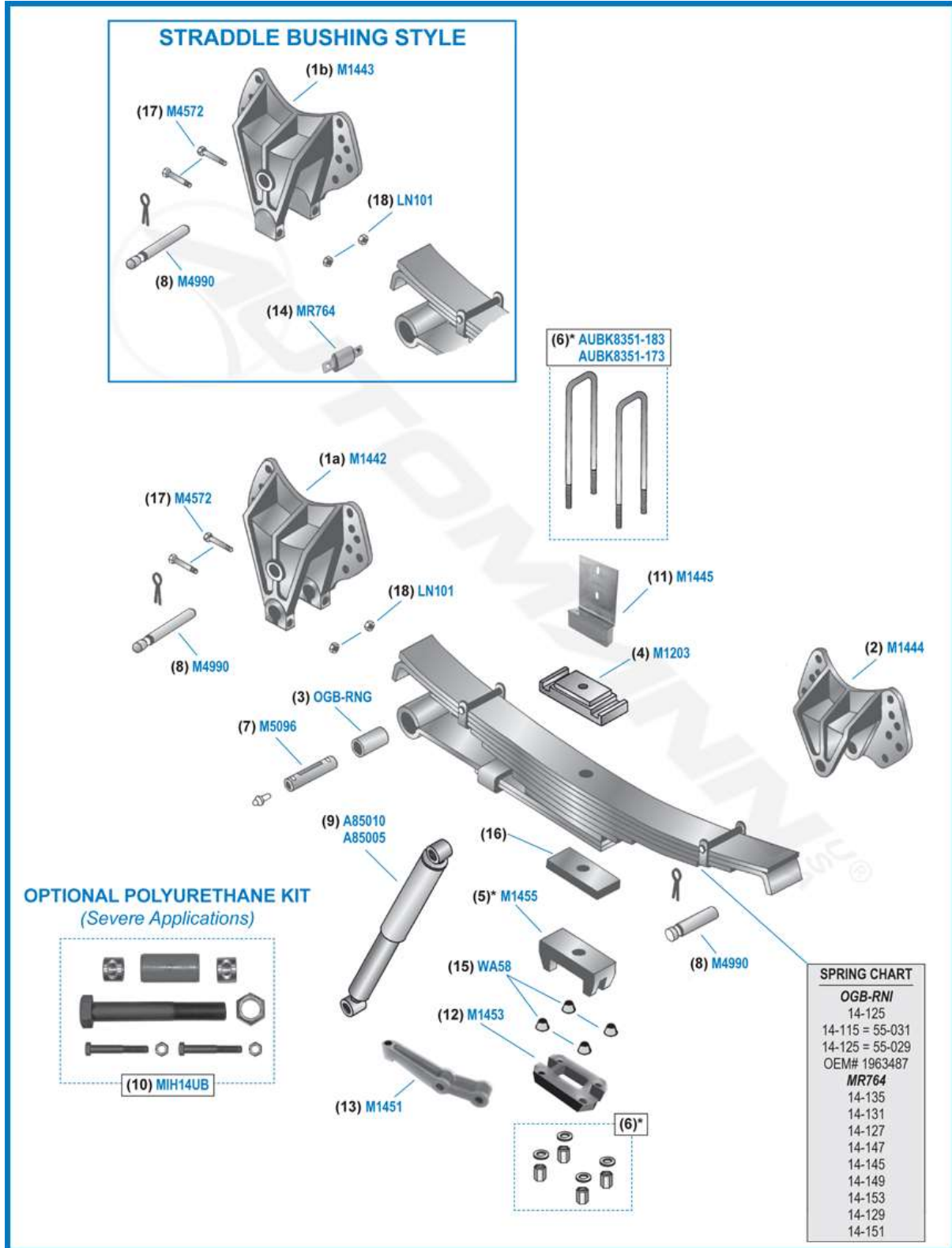


Suspension Schematic: Blue Bird Bus Rear Variable Rate Spring 3.0" (Revised)

Schematic Parts List





Automann / Interchange Part # or Keyword

Call: 1-888-288-6626 Text: 856-263-4600

Home	Category ▾	Brand ▾	Make/Model ▾	New Arrivals ▾	Wizards ▾	Schematics ▾	Quick Links ▾	Help ▾
Key	Part No.	OEM Ref.	Req.	Description	Notes			
1a	M1442	1362060	2	Front Hanger	Cast, 1-1/4" Pin, 3.0" spring			
1b	M1443	1864610	2	Front Hanger	Cast, Use with MR764			
2	M1444	1362078	2	Rear Hanger	Cast, 3/4" Rebound Pin			
3	OGB-RNG		2	Bushing	1-1/4" Id. x 1-1/2" x 3.0"			
4	M1203	1351410	2	Ubolt Top Plate	3.0" Semi Rd. x 7-3/8" Oal. x 5-7/8" CtoC			
5	M1455	1348424	2	Axle Seat	4-3/4" axle opening, 0°			
5	Ref.	17907	2	Axle Seat	4.5°			
5	Ref.	17907	2	Axle Seat	4.5° RE			
5	Ref.	55032	2	Axle Seat	2.0°			
6	AUBK8351-183	1897594	4	Ubolt Kit	3/4" x 3.0" Semi Rd. x 18-3/8" Lg., Check Leg Length			
6	Ref.	1317874	4	Ubolt Kit	3/4" x 3.0" Semi Rd. x 17.0" Lg., Check Leg Length			
6	Ref.	6632	4	Ubolt Kit	3/4" x 3.0" Semi Rd. x 19.0" Lg., Check Leg Length			
6	Ref.	1858075	4	Ubolt Kit	3/4" x 3.0" Semi Rd. x 20.0" Lg., Check Leg Length			
6	Ref.	1941467	4	Ubolt Kit	3/4" x 3.0" Semi Rd. x 21.0" Lg., Check Leg Length			
7	M5096	1353440 / 0043589	2	Spring Pin	1-1/4" x 5-5/16" x 4.0" CtoC			
8	M4990	1362045	4	Rebound Pin	3/4" x 5-7/8"			
9	A85010		2	Shock	Verify w/Shock Catalog, ES36/ES36			
9	A85321	1707405	2	Shock	Verify w/Shock Catalog, ES36/ES36			
10	MIH14UB		2	Spring Eye Kit	Poly, Repls. Bronze & Spring Pin			
11	M1445	11932	2	Bumper Pad Rebound	Mounts to frame above M1203			
12	M1453	31424	2	Ubolt Bottom Plate				
13	M1451	1897800	2	Shock Arm Bracket	Lower			
14	MR764	1874726 / 51589000	2	Bushing	2-5/8" Holes at 4-3/8" CtoC, High Confine			
15	WA58	0018486 / 49947000	8	Conical Washer	3/4" Id.			
16	Ref.	1864719		Spacer	3.0" Wd.			
SC	14-125	1489236	A/R	Spring Chart	OGB-RNI			
SC	14-115	1317924	A/R	Spring Chart	OGB-RNI Can use 55-031			
SC	14-125	1489236	A/R	Spring Chart	OGB-RNI Can use 55-029			
SC	1963487	1963487	A/R	Spring Chart	OEM			
SC	14-135	1874676	A/R	Spring Chart	MR764			
SC	14-131	80491	A/R	Spring Chart	MR764			
SC	14-127	1873603	A/R	Spring Chart	MR764			
SC	14-147		A/R	Spring Chart	MR764			
SC	14-145		A/R	Spring Chart	MR764			
SC	14-149		A/R	Spring Chart	MR764			
SC	14-153		A/R	Spring Chart	MR764			
SC	14-129	1874684	A/R	Spring Chart	MR764			
SC	14-151		A/R	Spring Chart	MR764			
1a	M1442	1362060	2	Front Hanger	Cast, 1-1/4" Pin, 3.0" spring			
1b	M1443	1864610	2	Front Hanger	Cast, Use with MR764			



Automann / Interchange Part # or Keyword

Call: 1-888-288-6626 Text: 856-263-4600

Home Category ▾ Brand ▾ Make/Model ▾ New Arrivals ▾ Wizards ▾ Schematics ▾ Quick Links ▾ Help ▾

4	M1203	1351410	2	Ubolt Top Plate	3.0" Semi Rd. x 7-3/8" Oal. x 5-7/8" CtoC
5	M1455	1348424	2	Axle Seat	4-3/4" axle opening, 0°
5	Ref.	0017907	2	Axle Seat	4.5° RE
5	Ref.	0055032	2	Axle Seat	2.0°
6	AUBK8351-183	1897594	4	Ubolt Kit	3/4" x 3.0" Semi Rd. x 18-3/8" Lg., Check Leg Length
6	AUBK8351-173	1317874	4	Ubolt Kit	3/4" x 3.0" Semi Rd. x 17.0" Lg., Check Leg Length
6	Ref.	0006632	4	Ubolt Kit	3/4" x 3.0" Semi Rd. x 19.0" Lg., Check Leg Length
6	Ref.	1858075	4	Ubolt Kit	3/4" x 3.0" Semi Rd. x 20.0" Lg., Check Leg Length
6	Ref.	1941467	4	Ubolt Kit	3/4" x 3.0" Semi Rd. x 21.0" Lg., Check Leg Length
7	M5096	1353440 / 0043589	2	Spring Pin	1-1/4" x 5-5/16" x 4.0" CtoC
8	M4990	1362045	4	Rebound Pin	3/4" x 5-7/8"
9	A85010	1658533	2	Shock	Verify w/Shock Catalog, ES36/ES36
9	A85005	1707405	2	Shock	Verify w/Shock Catalog, ES36/ES36
10	MIH14UB		2	Spring Eye Kit	Poly, Repls. Bronze & Spring Pin
11	M1445	0011932	2	Bumper Pad Rebound	Mounts to frame above M1203
12	M1453	0031424	2	Ubolt Bottom Plate	
13	M1451	1897800	2	Shock Arm Bracket	Lower
14	MR764	1874726 / 51589000	2	Bushing	2-5/8" Holes at 4-3/8" CtoC, High Confine
15	WA58	0018486 / 49947000	8	Conical Washer	3/4" ID
16	Ref.	1864719		Spacer	3.0" Wd.
17	M4572		4	Bolt	7/16"-20 x 3.0" Lg.
18	LN101		4	Lock Nut	7/16"-20

© 2023 Automann USA, Inc. All rights reserved. All content is property of Automann, and may not be reproduced or redistributed in any form.



888-AUTOMANN (+1-888-288-6626)

Any reference to OEM names or OEM product identification numbers/descriptions/model numbers is for identification only and does not indicate that it is an OEM part. When ordering, customers have the option to order using industry references, OEM references or Automann references.