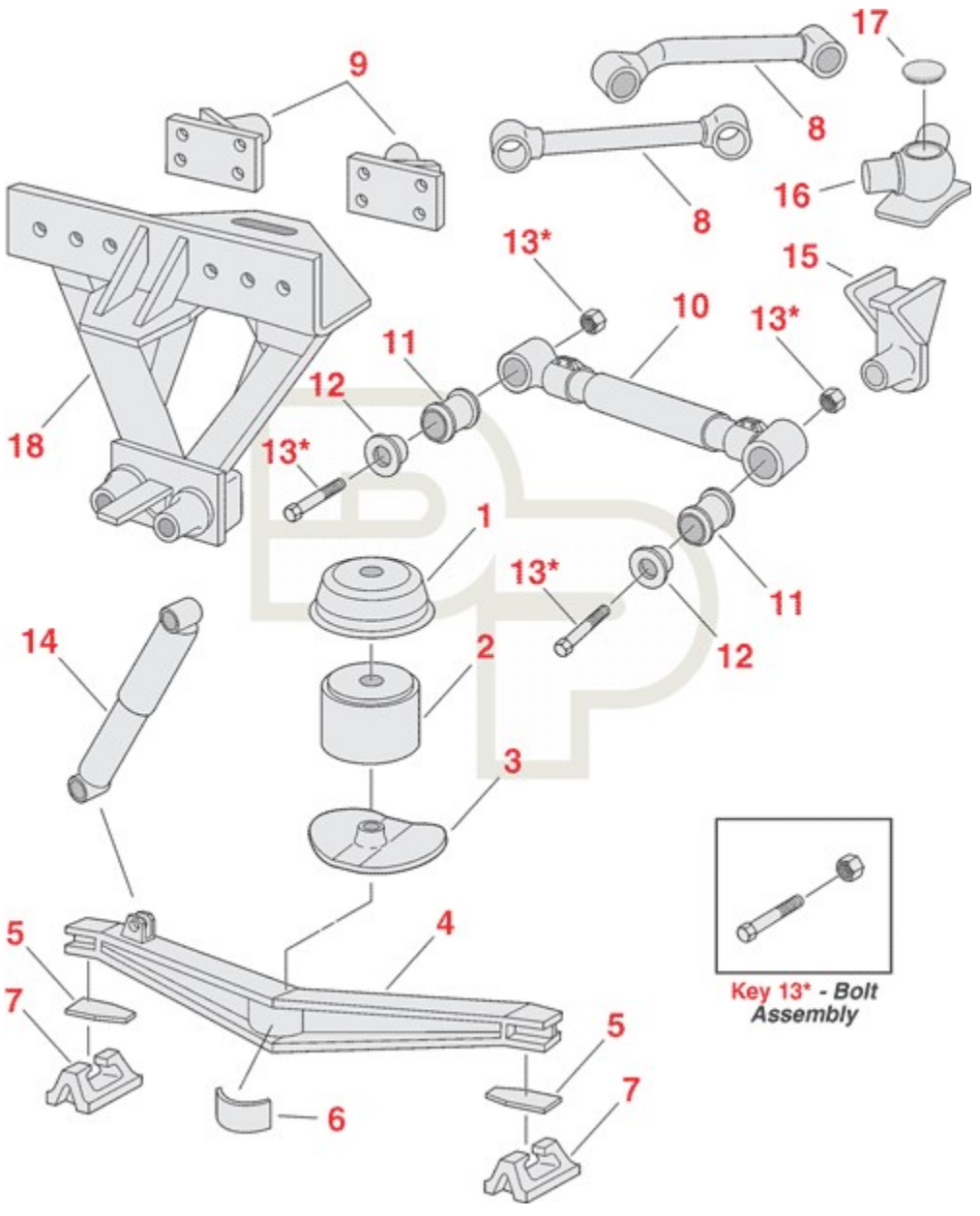




Chalmers 800 Series Truck Suspension



Call us if you can't find or identify the part you need

Chalmers 800 Series Truck Suspension

	Part #	Description	OEM #	Price	Note
1	334-860	Restrictor Can; 4-7/16"H x 12-5/8"Dia. x 3/16"Thk	373028, 373020	\$133.14	44k Tandem or Widespread, w/o Hole
1	334-861	Restrictor Can; 5-11/64"H x 11-5/8"Dia. x 3/16"Thk	373029, 373021	\$142.66	44k Tandem or Widespread; w/o Hole; High Center of Gravity Applications
2	325-156	Spring, Rubber; 8"H x 9-1/2"Dia	15002	\$242.77	20k Axle Capacity
3	334-865	Plate, Spring Bottom; 11-1/2" x 12.5°	800691, 800125	\$118.94	800 Series; Low 54" Beam to 60k
3	334-867	Plate, Spring Bottom; 11-1/2" x 9.3°	800689, 800117	\$117.15	800 Series; High 54" Beam to 60k
3	334-1915	Plate, Spring Bottom	800685, 800119	\$134.13	60"H & 72"L Beams
3	SP	Plate, Spring Bottom	800687, 800127	\$95.49	40-58k; 60" Low
3	SP	Plate, Spring Bottom	04S00034	\$156.54	X-Low
4	338-1991	Walking Beam	800079	\$997.37	54" Axle Spacing 40k; Low
4	338-1905	Walking Beam	800690	\$1,544.05	54" Axle Spacing 46k/50k; Low
4	338-1958	Walking Beam	800061	\$1,163.79	54" Axle spacing
4	338-2008	Walking Beam	800688	\$1,582.92	54" Axle Spacing; High
4	338-2009	Walking Beam	800684	\$1,485.00	60" Axle Spacing; 50k; High
4	338-2151	Walking Beam	800087	\$1,047.97	854-40/46L; 11 1/4"
5	334-945	Plate, Beam End Repair; All Beams	700313	\$19.88	Replace Beam When Wear Exceeds .030"
6	334-1935	Gusset, Beam Center Reinforcement	800599	\$25.32	
7	338-1406	Saddle; Rockwell Axles	248001	\$176.40	Rockwell Axles

Call us if you can't find or identify the part you need

7	338-1407	Saddle, High	248027	\$167.10	
7	338-1404	Saddle; 5" Round	222083	\$86.95	
8	345-677	Torque Rod, Rigid; 15-7/8"Lg c/c	223157	\$284.18	40k Suspension. Use 321-273 Bushings, Not Included
8	345-899	Torque Rod; Offset	800049	\$377.96	46k-58k
9	338-2188	Bracket, Torque Rod Frame; Type "2" Joint	800057	\$172.11	46k-52k; Except Western Star
10	345-674	Torque Rod, Rigid; 21-1/2"Lg c/c	223214	\$284.86	Use 321-273 Bushings, Not Included
10	345-676	Torque Rod, Rigid; 24"Lg c/c	223240	\$231.71	Use 321-273 Bushings, Not Included
10	345-685	Torque Rod, Adjustable; 24" Mean Length	216240	\$396.95	Use 321-273 Bushings, Not Included
10	345-678	Torque Rod, Adjustable; 21-1/2" Mean Length	216214	\$343.05	Use 321-273 Bushings, Not Included
10	345-889	Torque Rod, Adjustable; 21-1/2" Mean Length	807214	\$497.38	Type "2" Joints
10	345-890	Torque Rod, Adjustable; 22-3/8" Mean Length	807223	\$589.58	Type "2" Joints
10	345-891	Torque Rod, Adjustable; 24" Mean Length	807240	\$517.65	Type "2" Joints
10	345-917	Torque Rod, Adjustable; 25" Mean Length	807250,	\$496.74	
10	345-959	Torque Rod, Rigid; 25-1/4"Lg c/c	805252	\$381.47	Type "2" Joints
10	345-961	Torque Rod, Adjustable; 25-1/2" Mean Length	807254	\$500.60	Type "2" Joints

Call us if you can't find or identify the part you need

10	345-962	Torque Rod, Adjustable; 22" Mean Length	807220		Type "2" Joints
				\$538.08	
10	345-964	Torque Rod, Rigid; 22"Lg c/c	805220		Type "2" Joints
				\$351.24	
11	321-273	Bushing; 2-3/8"ID x 3-1/8"OD x 3-25/32"Lg	22128, 22082		
				\$14.60	
11	321-273U	Bushing, Urethane			
				\$23.19	
11	321-274	Bushing; 2-3/8"ID x 3-7/32"OD x 3-25/32"Lg	22129		
				\$25.73	
11	321-276	Bushing; 2-9/16"ID x 4-1/4"OD x 4-5/32"Lg	800010		
				\$24.03	
11	321-277	Bushing; 2-9/16"ID x 4-1/2"OD x 4-5/32"Lg	800009		Oversize OD; Used w/Type "2" Spigot Joint
				\$28.90	
12	321-275	Cap	260002		Type "O" Joint; 40K Prior to 6/1/92
				\$52.13	
12	334-853	Cap	800201	\$40.41	Type "1" Joint
12	334-855	Cap	800055	\$39.79	Type "2" Joint
13	334-624	Assembly, Bolt; 5/8"-11 x 3-1/2"Lg	K880230		Incl. Bolt & Hdwe.
				\$11.93	
13	334-754	Assembly, Bolt; 5/8"-18 x 5-1/2"Lg	K880231		Incl. Bolt & Hdwe.
				\$25.43	
13	334-770	Assembly, Bolt; 5/8"-18 x 5"Lg	K880640		Incl. Bolt & Hdwe.
				\$6.06	
14	M65463	Shock Absorber	800670	\$74.75	High Mount
14	M65442	Shock Absorber	800781	\$81.11	Low Mount
14	M66636	Shock Absorber	665174	\$49.53	
18	338-2506	Tri-Frame Assy, Undrilled	800216,		46K
				\$1,171.75	

Call us if you can't find or identify the part you need