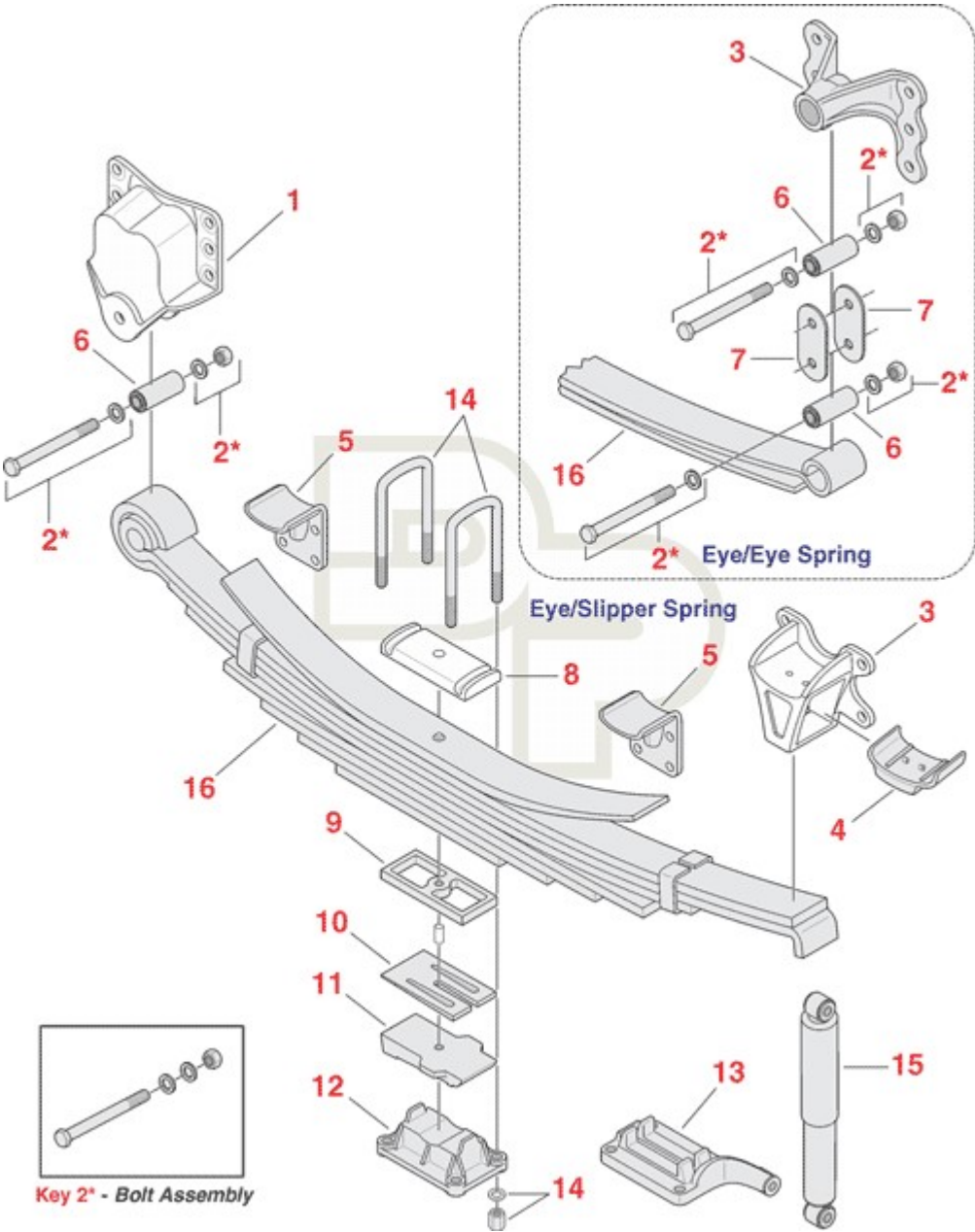




Freightliner Rear Suspension - M2 Business Class & Sterling Actera (3" Spring)



Call us if you can't find or identify the part you need

Freightliner Rear Suspension - M2 Business Class & Sterling Actera (3" Spring)

<u>Part #</u>	<u>Description</u>	<u>OEM #</u>	<u>Price</u>	<u>Note</u>
16 46-1317	Leaf Spring - 7 Leaf (3/4/PD) 46-1317 - Premium US* 46-1317 - Economy Import**	A16-16215-000	\$417.08 \$307.50	Eye / Slipper
16 46-1319	Leaf Spring - 7 Leaf (3/4/PD) 46-1319 - Premium US* 46-1319 - Economy Import**	A16-16338-000	\$311.22 \$280.50	Eye / Slipper
16 46-1329	Leaf Spring - 7 Leaf (3/4) 46-1329 - Premium US* 46-1329 - Economy Import**	A16-16214-000	\$494.67 \$303.08	Eye / Slipper
1 MFL1491	Front Hanger	16-15931-000	\$123.36	
3 338-2252	Rear Hanger	16-15880-000		Use Pad 334-1981
4 334-1981	Pad, Wear	16-15641-000	\$22.52	
5 338-1946	Bracket, Helper	680 3250 017	\$17.97	
7 330-409	Side Bar	16-15867-000	\$36.55	
8 338-2226	Top Plate	680 3250 231	\$34.21	Eye/Slipper Springs
12 338-2259	Plate, Bottom	16-14069-000	\$48.04	
13 338-2260	Bracket; Bottom Plate/Shock	11-23350-000	\$47.83	Roadside
13 338-2261	Bracket; Bottom Plate/Shock	11-23350-001	\$47.83	Curbside

* Premium version with 12 month warranty.

** Economy version with 6 month warranty.

Call us if you can't find or identify the part you need