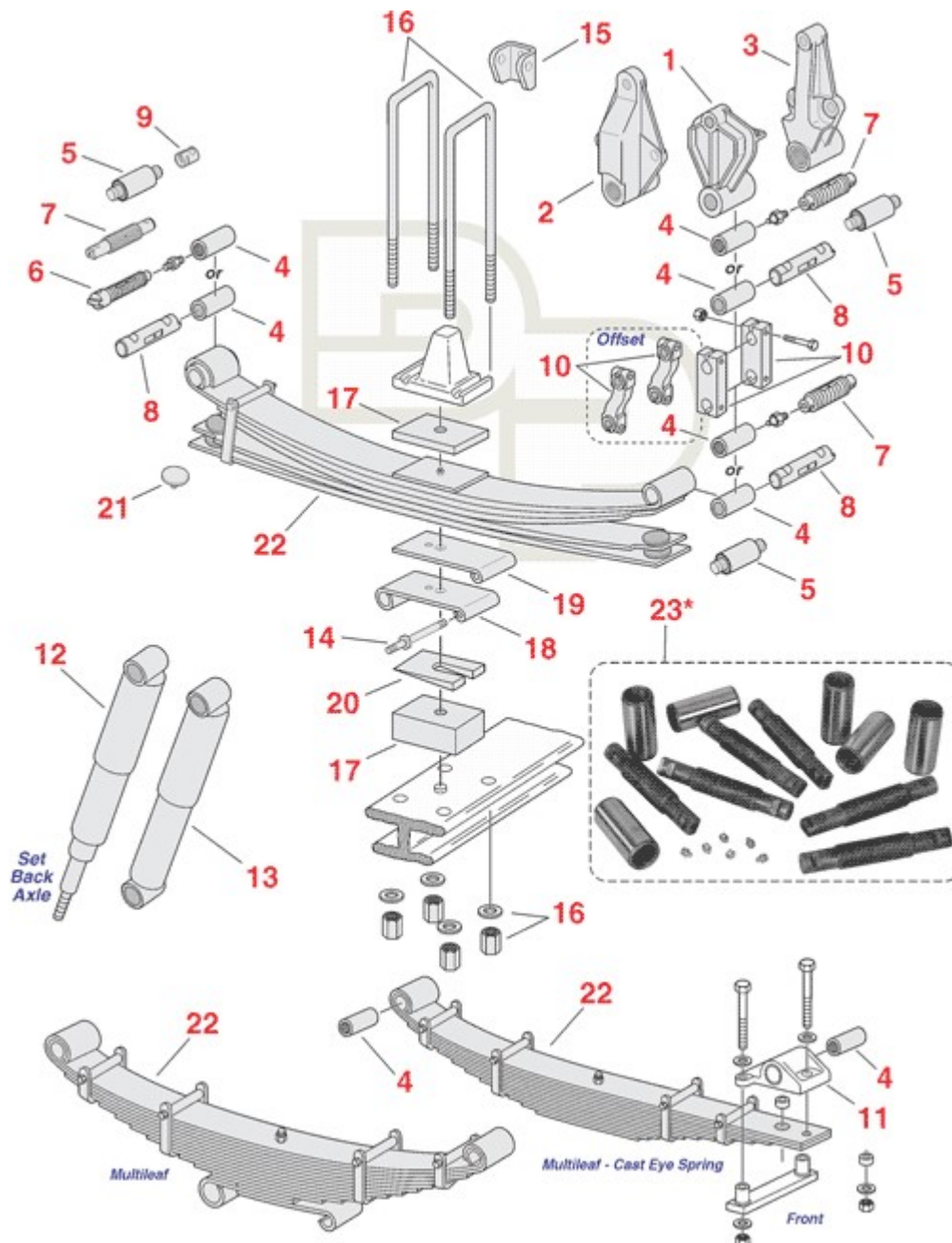


# LONG LIFE

# fleet

Kenworth Front Suspension - C500, K100/300, W900, T300/400/450/600/800, T2000



Call us if you can't find or identify the part you need

Kenworth Front Suspension - C500, K100/300, W900, T300/400/450/600/800, T2000

	<b>Part #</b>	<b>Description</b>	<b>OEM #</b>	<b>Price</b>	<b>Note</b>
22	59-214	3 Leaf Parabolic Spring (PD/3/2PD)	K223-778		Threaded Bushing
		59-214 - Premium US*		\$409.83	
		59-214 - Economy Import**		\$313.25	
22	59-366	10 Leaf Spring (10/SE)	K223-997		Threaded Bushing
		59-366 - Premium US*		\$720.02	
		59-366 - Economy Import**		\$555.00	
22	59-400	3 Leaf Parabolic Spring	K223-1073		Threaded Bushing
		59-400 - Premium US*		\$342.41	
		59-400 - Economy Import**		\$262.50	
22	59-408	4 Leaf Parabolic Spring (PD/4/SE)	K223-1125		Threaded Bushing
		59-408 - Premium US*		\$360.80	
		59-408 - Economy Import**		\$282.00	
22	59-410	9 Leaf Spring	K223-1134		Threaded Bushing
		59-410 - Premium US*		\$758.00	
		59-410 - Economy Import**		\$592.50	
22	59-428	2 Leaf Parabolic Spring (PD/2/PD)	HK48110-1440		Threaded Bushing
		59-428 - Premium US*		\$384.14	
		59-428 - Economy Import**		\$250.50	
22	59-440	4 Leaf Parabolic Spring	K223-1273-30	\$381.62	Threaded Bushing
22	59-446	3 Leaf Parabolic Spring (PD/3)	HK48110-2190		Threaded Bushing
		59-446 - Premium US*		\$539.49	
		59-446 - Economy Import**		\$337.50	
22	59-450	4 Leaf Parabolic Spring (PD/4)	HK48110-2200		Threaded Bushing
		59-450 - Premium US*		\$519.87	
		59-450 - Economy Import**		\$402.00	
22	59-494	5 Leaf Parabolic Spring (PD/3/1/1)	HK48110-3241	\$839.71	Threaded Bushing
22	59-528	3 Leaf Parabolic Spring (PD/3)	B81-6018-001	\$631.44	Rubber Bushings
22	59-548	2 Leaf Parabolic Spring	B81-6012-001		Rubber Bushings

Call us if you can't find or identify the part you need

		59-548 - Premium US*		\$390.03	
		59-548 - Economy Import**		\$310.50	
22	59-552	3 Leaf Parabolic Spring (PD/3)	B81-6014-001	\$607.05	Rubber Bushings
22	59-554	3 Leaf Parabolic Spring (PD/3)	B81-6018-002		Rubber Bushings
		59-554 - Premium US*		\$798.80	
		59-554 - Economy Import**		\$722.90	
22	59-560	2 Leaf Parabolic Spring	B81-6012-002		Rubber Bushings
		59-560 - Premium US*		\$572.18	
		59-560 - Economy Import**		\$407.55	
22	59-562	2 Leaf Parabolic Spring	B81-6012-003		Threaded Bushing
		59-562 - Premium US*		\$404.61	
		59-562 - Economy Import**		\$347.61	
22	59-582	5 Leaf Parabolic Spring (PD/3/1/1)	B81-6022-003	\$936.07	Threaded Bushing
22	59-594	3 Leaf Parabolic Spring (PD/3)	B81-6018-003		Threaded Bushing
		59-594 - Premium US*		\$691.41	
		59-594 - Economy Import**		\$595.50	
1	338-1835	Hanger - Rear of Front	K056-508 / K056-598	\$117.31	Threaded; Replaces K056-474
1	338-2135	Hanger - Rear of Front	K056-596 / K056-595	\$89.31	Incl. 322-141 Bushing
2	338-1898	Hanger - Rear of Front	B11-1034-2 / 02-04001M002	\$71.88	Incl. 322-141 Bushing
2	338-2032	Hanger - Rear of Front	B11-1034-1	\$82.20	Incl. RB-295 Bushing, PACCAR Chassis
2	338-2099	Hanger - Rear of Front	B11-1034-4	\$77.86	Incl. RB-249 Bushing
2	338-2100	Hanger - Rear of Front	B11-1031-5	\$65.37	Incl. TB-77 Bushing, PACCAR Chassis
2	338-2101	Hanger - Rear of Front	B11-1034-6	\$81.59	Incl. RB-328 Bushing, PACCAR Chassis
3	338-2172- 01	Hanger; Threaded Bushing	B11-1039 / 20436985	\$79.22	TB-81 Threaded Bushing

Call us if you can't find or identify the part you need

3	338-2172-02	Hanger; Rubber Bushing	B11-1091-001 / 20436985	\$86.59	RB-324 Rubber Bushing
3	338-2172-03	Hanger; Rubber Bushing	B11-1091-002 / 20436985	\$83.09	RB-308 Rubber Bushing
4	RNK-BM	Bushing; 1 1/4"ID x 1 1/2"OD x 4"Lg		\$7.44	Use w/327-483 Pin
4	322-141	Bushing; w/Seals	HBU544	\$15.34	Replaces PB-18
4	TB-68	Bushing; 1 3/4"OD x 4"Lg x 1 3/8"-6 Thread	5295	\$12.06	Use w/327-306 & 327-297 Spring Pins
4	TB-77	Bushing, Threaded; Metric	B13-1000	\$20.27	For T2000; 1996-97
4	TB-81	Bushing, Threaded; Metric	B13-1002	\$24.47	T600/800; 2004 & Newer
5	RB-249	Bushing; 1 3/4"OD x 7 1/8"Lg x 5 3/4 c/c	B65-1001	\$30.42	
5	RB-295	Bushing; 1 3/4"OD x 7 1/2"Lg x 6.3" c/c	B65-1006	\$32.17	T Series; 2004 & Newer; w/59" Springs
5	RB-308	Bushing; 2 1/16"OD x 7 1/2"Lg x 6.3 c/c	B65-1007	\$39.65	T Series
5	RB-324	Bushing; 2 1/16"OD x 6 11/16"Lg x 5 7/16"	B65-1013 / B65-6006	\$39.46	
5	RB-328	Bushing; 1 3/4"OD x 6 11/16"Lg x 5 7/16" c/c	B65-6005	\$32.17	
5	RB-338	Bushing; 5/8"ID x 1 3/4"OD x 4 1/4"Lg	B65-6010	\$22.06	Medium Duty Models; 2009+
6	327-306	Spring Pin, Threaded; 1 3/8"-6 x 7 3/8"Lg	K179-378	\$23.76	Grease Fitting in Small End
6	327-297	Spring Pin, Threaded; 1 3/8"-6 x 7 3/8"Lg	6262	\$21.93	w/ 1/2" Lock Pin Slots
7	327-434	Spring Pin, Threaded; 1 3/8 -6 x 5 3/4" c/c	5296	\$16.05	
7	327-537	Spring Pin, Threaded Metric	B65-1002	\$16.03	5.75 c/c
7	327-540	Spring Pin, Threaded Metric	B65-1008	\$15.44	T600/800; 2004 & Newer
7	327-544	Spring Pin, Threaded Metric	B65-6008	\$17.96	

Call us if you can't find or identify the part you need

8	327-483	Spring Pin; 1 1/4"OD x 6 7/8"Lg x 5 5/16" c/c	K179-527		Model 359 \$10.56
9	334-1923	Sleeve, Adapter	K220-605		\$19.06 Use w/RB-249
10	330-126	Side Bar, Offset	K209-55 / K209-54		\$31.93 Standard for Cabover
10	330-168	Side Bar, Offset	K209-82,87 / K209-8,89		\$34.79
10	330-125	Side Bar; 6 5/16"Lg x 4" c/c	K209-75 / K209-36		\$32.90 Standard for Conventional; Option for Cabover
10	M1225A	Side Bar; 2"W x 6"Lg x 3 1/2" c/c	P162-563		\$36.52 T300,K300 (KW); 200-30/33; 330
10	330-406	Side Bar; 4" c/c; Bent Type	K20-993		\$81.34
10	330-407	Side Bar; 6" c/c; Bent Type	K20-994		\$136.50
11	DIA	Casting, Eye	K262-34		Incl. TB-68 Bushing
12	M66966	Shock Absorber	K374-13 / K374-15		\$45.66
13	M66811	Shock Absorber	K374-14 / K374-33 / K374C31		\$50.35
13	M65102	Shock Absorber	K374-11 / K374-16 / K374-26 / K374-27		\$67.77
14	334-2088	Stud, Shock Absorber Mounting	K233-509		\$42.45
14	334-2089	Stud, Shock Absorber Mounting	K233-520		\$24.40 Lower; Heavy Duty
15	334-2215	Bracket, Shock; Upper	K324-491		\$41.17 T Series
16	361-475	Kit, U-Bolt; Square Bend, Grade 8	K241-309		\$22.70 3/4" x 4" x 8 7/8" S
16	361-206	Kit, U-Bolt; Special Bend, Grade 8	K241-258		\$30.01 3/4" x 4" x 11 1/8" HS
16	361-208	Kit, U-Bolt; Special Bend, Grade 8	K241-414		\$35.95 7/8" x 4" x 11" HS
17	338-1976	Spacer; 1/2"	K221-4785		\$22.41 Iron Replacement
17	338-1977	Spacer; 2"	K221-4293		\$29.79 Iron Replacement
17	338-2384	Spacer; 1"	K221-4737		\$49.60

Call us if you can't find or identify the part you need

18	334-1833	Bracket, Shock Absorber/Tow Eye	K324-479	\$83.69	7 5/16"; 1" Eye
19	334-1638	Bracket, Shock Absorber	K324-383	\$80.77	3/4" Center Hole; Not Part of Spring Assy.
19	334-1987	Bracket, Shock Absorber	K324-409	\$80.08	8 1/4"; 1" Eye
19	334-1988	Bracket, Shock Absorber	K324-493	\$80.08	7 7/16"; 1" Eye
19	334-2216	Bracket, Shock Absorber	B11-1018	\$63.31	5"; 1" Eye
21	PAD-101	Tip Insert; Urethane		\$36.72	
23	339-308	Kit, Service; RB to TB Conversion		\$174.20	Replaces (6) RB-295 w/Threaded Pins & Bushings; Shown
23	339-309	Kit, Service; RB to TB Conversion		\$203.33	Replaces (2) RB-295 & 4 RB-328 w/Threaded Pins & Bushings
23	339-310	Kit, Service; RB to TB Conversion		\$204.20	Replaces (2) RB-308 & 4 RB-324 w/Threaded Pins & Bushings
23	339-311	Kit, Service; RB to TB Conversion		\$220.72	Replaces (6) RB-295 w/Threaded Pins & Bushings
23	339-312	Kit, Service; RB to TB Conversion		\$195.11	Replaces (6) RB-295

\* Premium version with 12 month warranty.

\*\* Economy version with 6 month warranty.

Call us if you can't find or identify the part you need