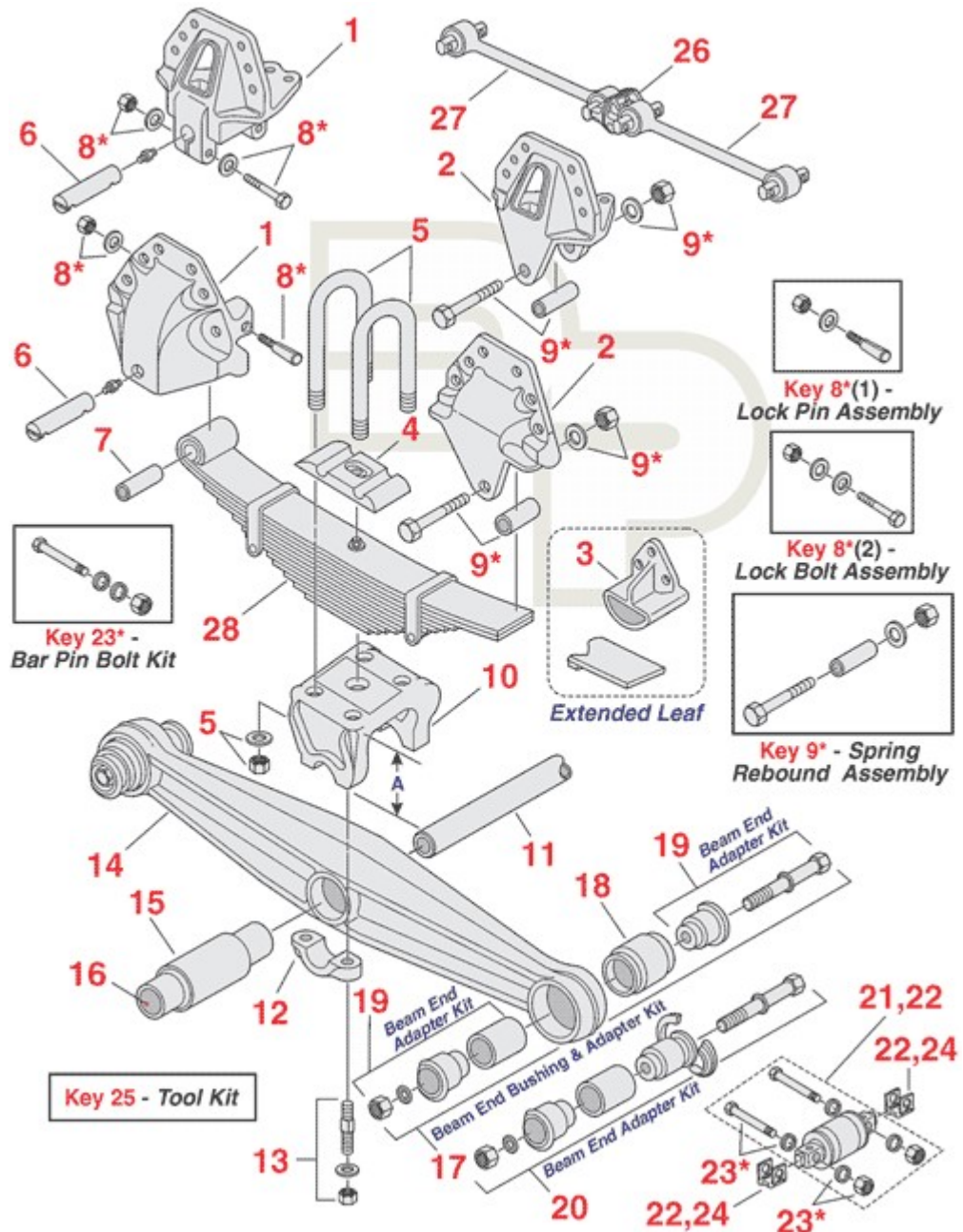




Hendrickson Rear Suspension - RU/RUE/U/UE 340,
U2/UE2 340 Tandem



Call us if you can't find or identify the part you need

Hendrickson Rear Suspension - RU/RUE/U/UE 340,
U2/UE2 340 Tandem

	Part #	Description	OEM #	Price	Note
28	50-283	12 Leaf Spring	45068	\$364.38	
28	50-273	12 Leaf Spring	45030	\$444.72	
28	50-467	8 Leaf Spring (8/2PD)	53386	\$741.50	
28	50-173	12 Leaf Spring (12/PD)	24929	\$436.13	
28	50-471	7 Leaf Spring (7/2PD)	53388	\$559.77	
28	50-469	8 Leaf Spring (8/2PD)	53387	\$529.19	
28	50-161	12 Leaf Spring	21791	\$455.33	
1		Hanger, Front			Call For Identification & Price
	Various				
2		Hanger, Rear			Call For Identification & Price
	Various				
3		Hanger, Extended Leaf			Call For Identification & Price
	Various				
4	338-124	Pad, Top	19281-1	\$29.85	
5	361-100	Kit, U-Bolt; Special Bend, Grade 8	22303-2	\$24.69	7/8" x 4" X 9" HS
6	327-106	Spring Pin; 1-1/4"OD x 7-11/32"Lg x 5/8" c/e	32276	\$22.94	Single Lock
6	327-107	Spring Pin; 1-3/8"OD x 7-11/32"Lg x 5/8" c/e	32277	\$11.51	Single Lock
6	327-437	Spring Pin; 1-3/8"OD x 6-7/8"Lg x 5-3/8" c/c	43146	\$10.21	Double Lock
7	322-100	Bushing; 1-1/4"ID x 1-1/2"OD x 4"Lg	30057-7	\$8.33	
7	322-101	Bushing; 1-3/8"ID x 1-5/8"OD x 4"Lg	30057-8	\$9.59	
8	334-112	Assembly, Pin; Lock	62-1	\$4.88	Incl. Washer & Nut
8	334-131	Bolt Assembly; 1/2"-13 x 4"Lg	46825-1	\$6.75	Incl. Bolt & Hdwe.
9	334-100	Assembly, Rebound; 1/2"OD x 6-1/2"Lg	29828-23	\$5.80	Incl. Roller, Washer & Nut

Call us if you can't find or identify the part you need

10	338-131	Assembly, Saddle; "A" = 6-3/16"	31017-75	\$416.78	Casting No. 43184; Incl. Cap & Stud
10	338-132	Assembly, Saddle; "A" = 7-5/16"	31017-76		Casting No. 43145; Incl. Cap & Stud
11	334-102	Cross Tube; 1-15/16"x 44-7/8"Lg	44642-8	\$93.56	
12	338-127	Cap, Saddle; 4" c/c x 13/16" Holes	19283-2	\$15.10	
13	334-165	Assembly, Stud; 3/4"-16/16 x 4-1/8"Lg	23441-4	\$13.81	Incl. Stud, Washer & Lock Nut
14	See Chart	Beam Assembly			Call For Identification & Price
15	321-117	Bushing, Beam Center; Rubber; Welded Plug	6664	\$86.42	Welded in Plug
15	321-118	Bushing, Beam Center; Rubber; Loose Plug	22279	\$90.74	Plug Included
16	334-190	Plug, End; 1-15/16"Dia. x 3/16"Thk	22278	\$5.86	
17	334-380	Kit, Bushing & Adapter	34013-48	\$86.61	Incl. 321-120 Bushing & 334-108 Adapter
17	334-381	Kit, Bushing & Adapter	34013-49	\$84.05	Incl. 321-126 Bushing & 334-109 Adapter
18	321-120	Bushing, Beam End; Rubber; 5-1/4"Lg	6969	\$60.77	
18	321-126	Bushing, Beam End; Rubber; 5-3/4"Lg	45900	\$39.59	
19	334-108	Adapter Kit, Solid Adapters	45000-13	\$55.04	Use w/ 5 1/4" Bushing
19	334-109	Adapter Kit, Solid Adapters	45000-7	\$50.58	Use w/ 5 3/4" Bushing
20	334-110	Adapter Kit, Solid/Split Ring Adapters	45000-14	\$191.89	Use w/ 5 1/4" Bushing
20	334-111	Adapter Kit, Solid/Split Ring Adapters	45000-8	\$185.66	Use w/ 5 3/4" Bushing
21	334-830	Kit, Service; Bar Pin Bushing; Non Shim	34013-87	\$112.97	Incl. Bar Pin Bushing &

Call us if you can't find or identify the part you need

				Mounting Hdwe.
22	334-831	Kit, Service; Bar Pin Bushing; Shim Type	34013-88	Incl. Bar Pin Bushing, Alignment Shims & Mounting Hdwe. \$112.88
22	334-1957	Kit, Service; Rotating Bar Pin Bushing; Shim Type	34013-188	Incl. Bolts & Shims \$156.67
23	334-832	Assembly, Bolt; 1"-8 x 6"Lg Grade 8	48941	Incl. Bolt, Lock Nut & Washers \$16.21
24	334-879	Shim; 3/16"	50130	\$7.45
24	334-880	Shim; 1/8"	50131	\$7.33
24	334-881	Shim; 3/8"	57026	\$11.39
26	338-181	Bracket, Track Rod/Frame	22186	\$15.40 For 5/8" Bolts
27	SP	Torque Rod, Rigid	32271-XXX	Call For Identification & Price
27	345-610	Torque Rod End; Female; Straddlemount	66610, 46610	5/8" Bolts, 4 3/8" Spacing \$65.37
27	345-661	Torque Rod End; Male; Straddlemount; 22-1/2"Lg	66661, 46661	5/8" Bolts, 4 3/8" Spacing \$67.34

Call us if you can't find or identify the part you need