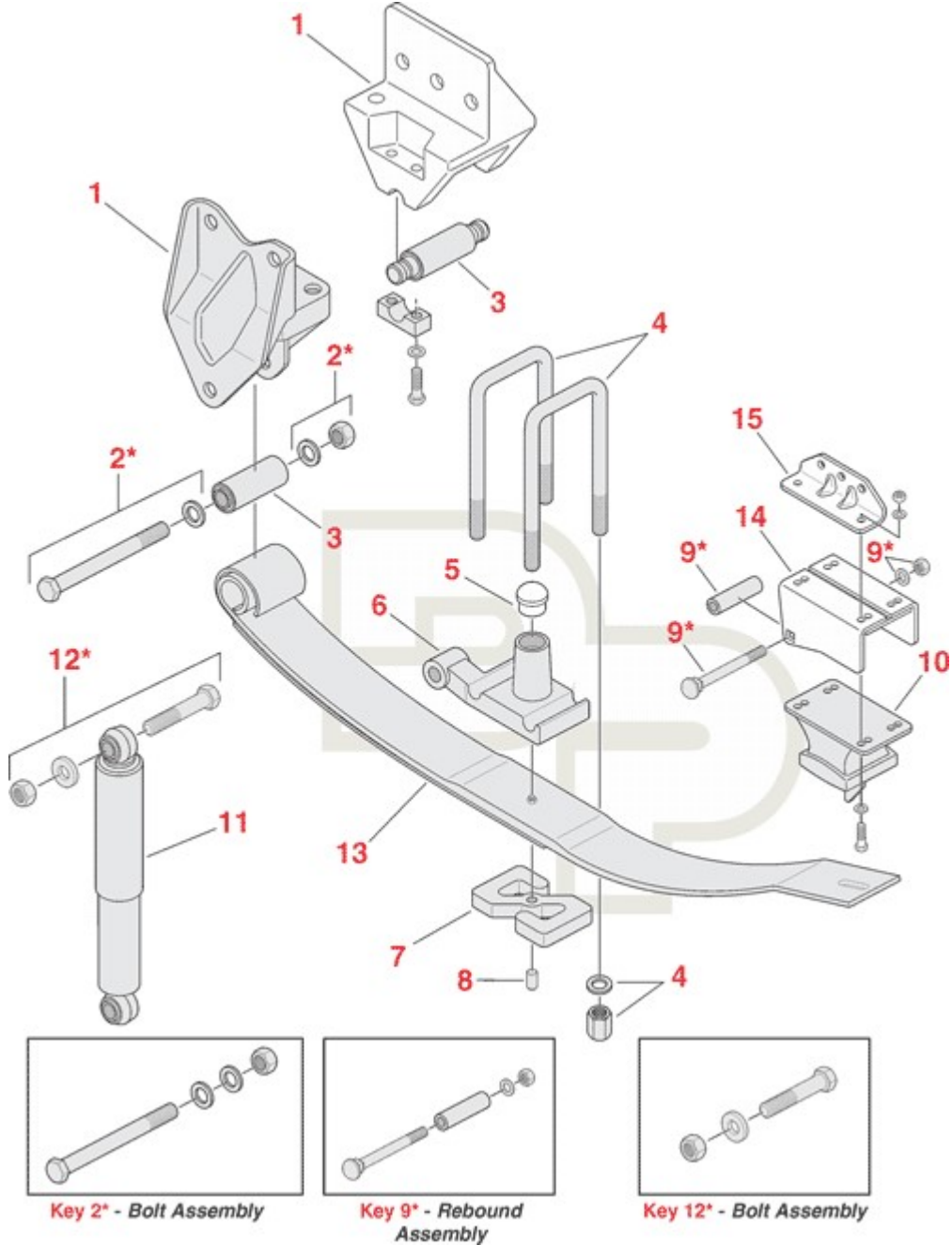




Freightliner Front - M2 Eye/Slipper (3" & 4" Spring)



Call us if you can't find or identify the part you need

Freightliner Front - M2 Eye/Slipper (3" & 4" Spring)

<u>Part #</u>	<u>Description</u>	<u>OEM #</u>	<u>Price</u>	<u>Note</u>
13 46-1462	1 - 1/2 Leaf Parabolic Spring 46-1462 - Premium US* 46-1462 - Economy Import**	A16-16584-000 / A16-16787-000	\$265.50 \$200.72	3" Wide
13 46-1464	1 - 1/2 Leaf Parabolic Spring 46-1464 - Premium US* 46-1464 - Economy Import**	A16-16586-000 / A16-16789-000	\$292.50 \$221.13	4" Wide
13 46-1474	1 - 1/2 Leaf Parabolic Spring	A16-16788-000	\$299.64	4" Wide
1 338-2248	Front Hanger	16-14307-000 / 680 320 0077	\$121.52	
1 MFL46324	Front Hanger	16-14324-000	\$111.36	Cast
5 MFL46215	Bump Stop, Rubber	16-15215-000	\$15.94	
6 338-2249	Top Plate / Shock Mount - RH	A16-15214-000	\$51.78	4" Wide, Incl. 325-355
6 338-2391	Plate, Top/Shock Mount; LH	A16-15214-001	\$51.78	4" Wide, Incl. 325-355
9 334-2046	Assembly, Rebound		\$11.55	
10 325-249	Insulator; Spring Mount	16-15773-000	\$59.13	
11 M65140	Shock Absorber	10-12388-000	\$84.51	

* Premium version with 12 month warranty.

** Economy version with 6 month warranty.

Call us if you can't find or identify the part you need