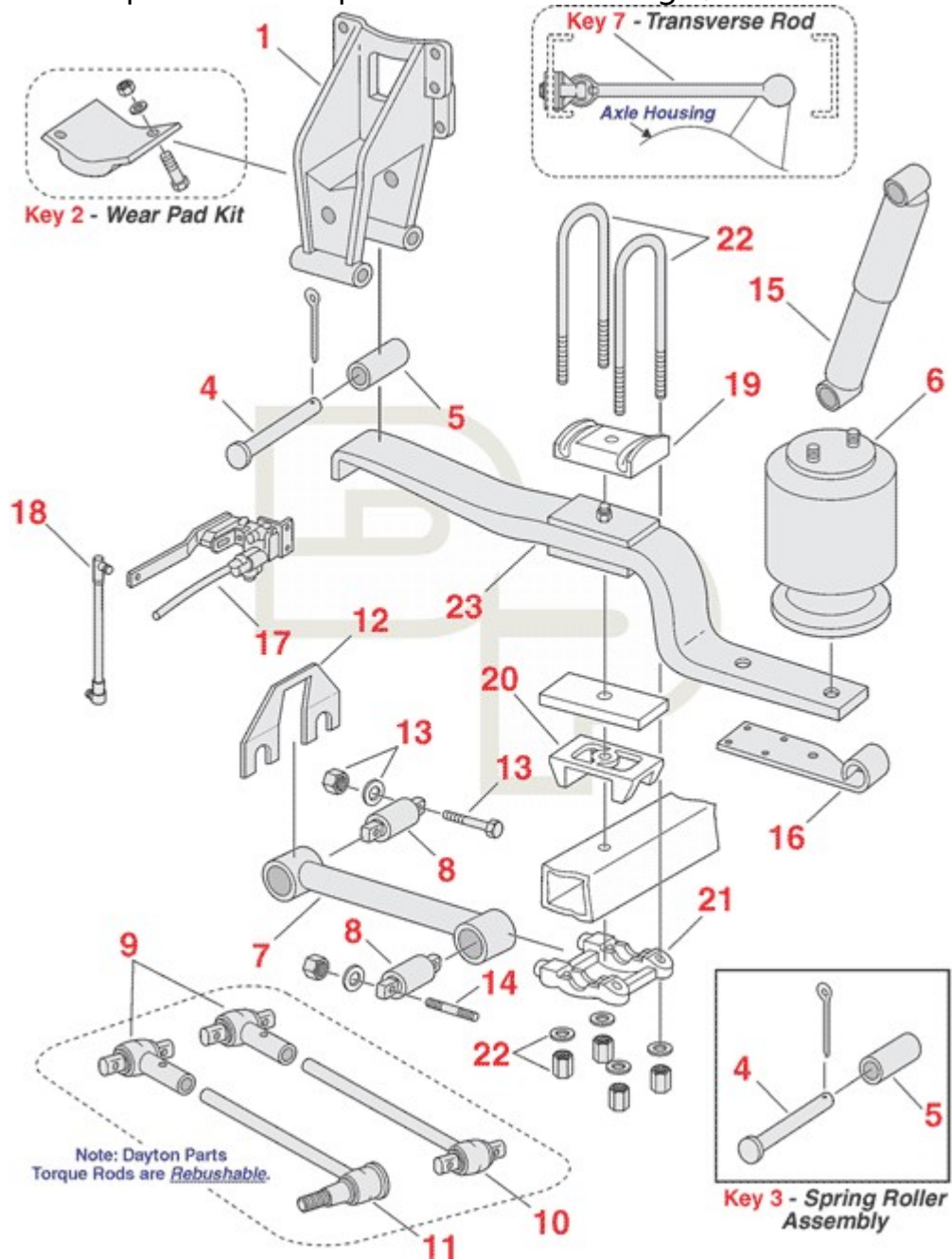




Navistar Rear Suspension - Corporate Z-Leaf Air Single/Tandem Axle



Call us if you can't find or identify the part you need

## Navistar Rear Suspension - Corporate Z-Leaf Air Single/Tandem Axle

	<b>Part #</b>	<b>Description</b>	<b>OEM #</b>	<b>Price</b>	<b>Note</b>
23	55-067	Leaf Spring	501566C91 / 501566C92 / 501566C93 / 16105280	\$167.63	Interchangeable w/ 55-1195
23	55-1195	Leaf Spring	501566C93 / 52153 / 37953	\$168.39	Interchangeable w/ 55-067
1	338-1030	Hanger, Front; LH/RH	1680506C91 / 501556C2	\$138.68	
2	334-747	Kit, Service; Wear Pad	571960C1	\$14.67	Incl. Mounting Hdwe.
3	334-1162	Assembly, Roller		\$14.01	Incl. 327-475 Pin, 334-657 Roller & Cotter Pin
4	327-475	Pin, Rebound; 1/2"OD x 5"Lg	574778C2	\$8.08	Except Low Profile
4	327-282	Pin, Rebound; 3/4" x 5- 7/8"Lg	206258R1/R2	\$5.43	Low Profile
5	334-657	Roller, Rebound; 1/2"ID x 1-3/16"OD x 3-7/16"Lg	501535C2	\$10.08	
6	352-9243	Air Spring	1660581C1 / 501559C1/2	\$180.41	
6	352-9565	Air Spring	2027912C1 / 1672401C1	\$173.78	
6	352-9371	Air Spring	1670043C1	\$158.85	
6	352-9379	Air Spring	1660694C1	\$233.30	
6	352-9567	Air Spring	1675495C1	\$144.88	
7	345-200	Torque Rod, Rigid; 18- 1/8"Lg, 15°/15° Tubular	493920C2	\$114.30	Incl. 321-279 Bushings; 1-15/16" OD Tube
7	345-854	Torque Rod, Rigid; Forged; 18-1/8"Lg, 15°/15°	493920C1	\$113.85	Rebushable; Incl. 321-131 Bushings
7	345-188	Torque Rod, Rigid; 18- 1/8"; 15°/15° Tubular; Standard	588117C91	\$110.41	Incl. 321-223 Bushings; 1.56" OD Tube
7	345-803	Track Rod; 24-3/8"	501565C1	\$156.66	Cut & Weld Kit

Call us if you can't find or identify the part you need

7	345-803	Track Rod; 25-3/8"	501565C2	\$156.66	Cut & Weld Kit
8	321-279	Bushing; 2.46"OD x 4-3/8" c/c		\$41.61	5/8" Bolts; Use w/345-200
8	321-131	Bushing; 2-17/32"OD x 4- 3/8" c/c	44694	\$29.33	For 5/8" Bolts & 1 1/8" Rod Diameter
8	321-131U	Bushing, Urethane		\$51.47	
8	321-132	Bushing; Straddlemount; 2-3/4"OD x 4-3/8" c/c	44695 / 227720	\$30.20	5/8" Bolts; 1-1/4" Forged Rod
8	321-132U	Bushing, Urethane		\$48.44	
8	321-223	Bushing; 4-3/8" c/c x 5/8" Bolts	47691	\$20.98	Straddlemount
8	321-133	Bushing; Taper Stud Type	44697 / 1693066C1	\$46.11	Use w/944270, 925150 & K195- 376 Rods
8	321-133U	Bushing, Urethane		\$75.36	
9	345-610	Torque Rod End; Female; Straddlemount	46610 / 66610	\$65.37	5/8" Bolts, 4-3/8" Spacing
10	345-660	Torque Rod End; Male; Straddlemount; 30-1/2"Lg	46660 / 66660	\$72.17	5/8" Bolts, 4-3/8" Spacing
10	345-661	Torque Rod End; Male; Straddlemount; 22-1/2"Lg	46661 / 66661	\$67.34	5/8" Bolts, 4-3/8" Spacing
11	345-680	Torque Rod End; Male; Taper Stud; 30-1/2"Lg	46680 / 66680	\$98.02	1-1/8"-12, 1.85" Taper
11	345-681	Torque Rod End; Male; Taper Stud; 22-1/2"Lg	46681 / 66681	\$95.02	1-1/4"-12, 2.90" Taper
12	334-526	Shim; 1/16"Thk 4-3/8" c/c	488916C1	\$4.75	
13	334-768	Assembly, Bolt; 5/8"-18 x 4-1/2"Lg	955375	\$4.03	Incl. Bolt & Hdwe.
14	334-655	Stud; 5/8"-18/11 x 4"Lg	488906C4 / 488906C6	\$8.98	
15	M74420	Shock Absorber	501553C91 / 16754556	\$74.58	
15	M65409	Shock Absorber	1690035C1 / 2018987C1	\$73.17	
15	M74405	Shock Absorber	462557C91	\$83.15	
15	M74406	Shock Absorber	350426C1	\$85.87	
16	55-067SBL	Bracket, Shock Absorber	579637C2	\$70.12	
16	55-067SBR	Bracket, Shock	579638C2	\$70.12	

Call us if you can't find or identify the part you need

17	334-750	Valve, Height Control; Universal	H00450CA	\$69.03	Hadley, Model 450HCV
18	334-751	Linkage Assembly; Universal Adjustable	2505186C91 / 3524252C1	\$12.88	3-5/8"-19-5/8" Range; Use w/All Height Control Valves
19	M1558	Plate, Top	572112C2	\$32.39	
22	361-481	Kit, U-Bolt; Special Bend, Grade 8	590621C1	\$34.13	3/4" x 3-9/16" x 13-1/4" IR
22	361-310	Kit, U-Bolt; Special Bend, Grade 8	1610312C2	\$41.92	7/8" x 3-9/16" x 15-1/8" IR

Call us if you can't find or identify the part you need